

VIBRATORY
DISCHARGER
VDF - VDB

**USER
MANUAL**



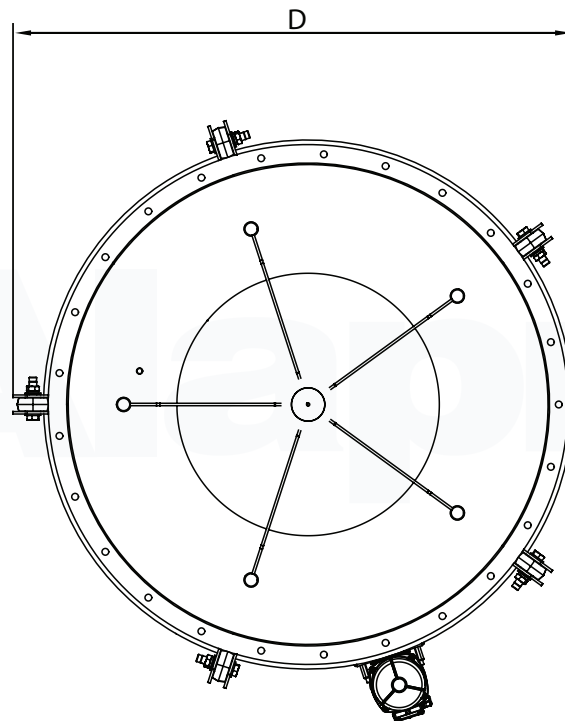
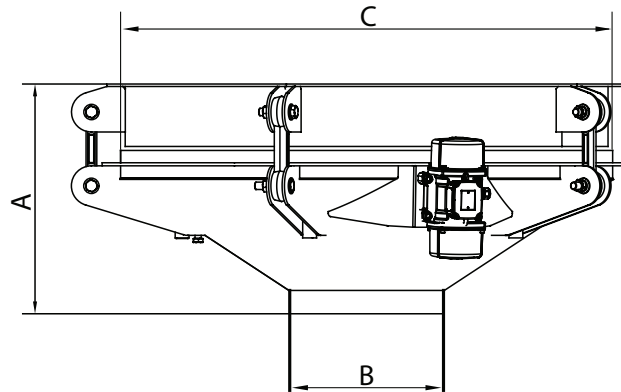
INNOVATION
MORE THAN
JUST A WORD



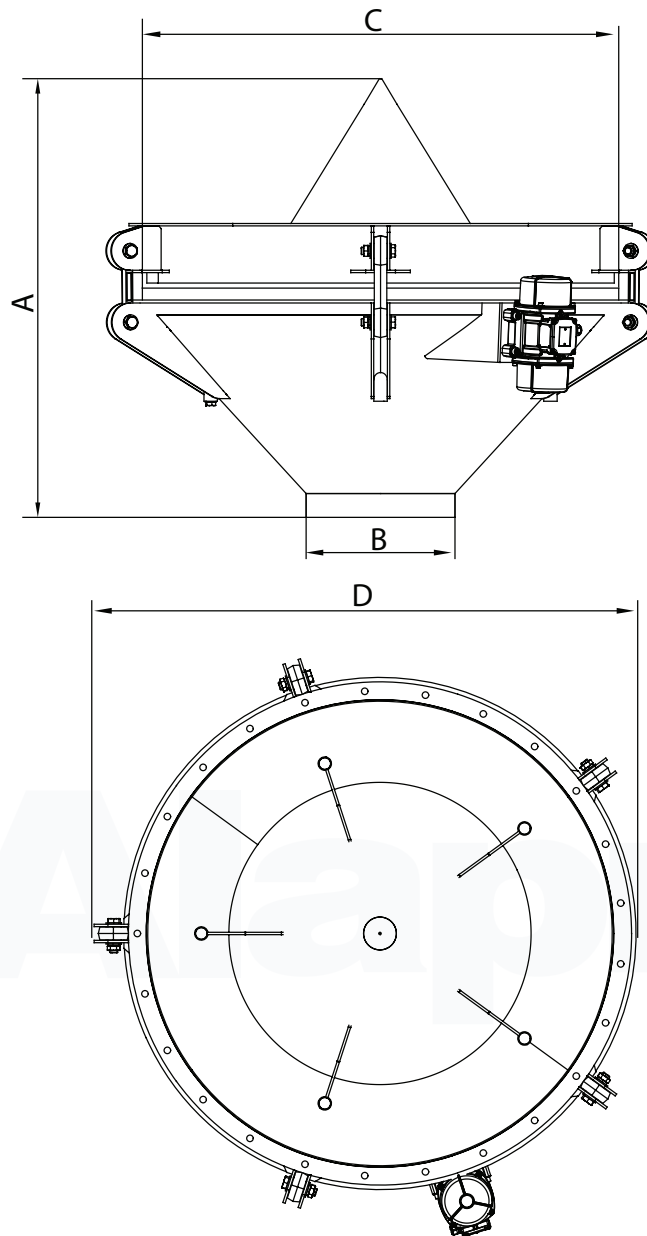
www.alapros.com

 **Alapros**[®]

1.9 CAPACITY AND DIMENSIONS



MODEL	DIMENSIONS mm.				WEIGHT kg
	A	B	C	D	
VDF 100	630	300	1000	1235	180
VDF 130	750	300	1300	1620	290
VDF 160	990	500	1600	1805	410
VDF 200	1210	500	2000	2320	650



MODEL	DIMENSIONS mm.				WEIGHT kg
	A	B	C	D	
VDB 100	975	300	1000	1235	200
VDB 130	975	300	1300	1620	300
VDB 160	1470	500	1600	1805	425
VDB 200	1690	500	2000	2320	680

1.12 CAPACITY AND DIMENSIONS

Detail	Material	Thick. (mm)
UPPER BODY	-	-
Body	ST 37	5
Upper Flange	ST 37	8
Core Flange	ST 37	8
Assembly Bracket	ST 37	8
OUTER CONICAL	-	-
Body	ST 37	5
Conical	ST 37	5
Throttle	ST 37	4
Lower Flange	ST 37	5
Assembly Bracket	ST 37	8
Assembly Bracket Support Part	ST 37	8
Assembly Bracket Side	ST 37	8
Assembly Bracket Core	ST 37	8
Upper Flange	ST 37	8
INTERNAL SPREADER FOR FLOUR	-	-
Conical Top	ST 37	3
Conical Bottom	ST 37	3
Conical Assembly Part	ST 37	3
Base Support For Conical	ST 37	3
Top of Conical	ST 37	3

Detail	Material	Thick. (mm)
INTERNAL SPREADER FOR BRAN	-	-
Top Conical	ST 37	3
Base of Conical	ST 37	3
Assembly Part for the cone	ST 37	8
Base Support for the conne	ST 37	3
Top of Conical	ST 37	3
(Ø 300) OUTLET HOPPER	-	-
Conical	ST 37	3
Outlet Throttle	ST 37	3
Flange	ST 37	5
(Ø 200) OUTLET HOPPER	-	-
Conical	ST 37	3
Outlet Throttle	ST 37	3
Flange	ST 37	5
CLAMP FOR VIBRATION GASKET	-	-
Long Tightening Part	ST 37	3
Short Tightening Part	ST 37	3
Vibration Upper Assembly Clamp	ST 37	2
Lower Assembly Clamp	ST 37	2
Outer Assembly Clamp	ST 37	2