

SEMOLINA
PURIFIER
SPR

**USER
MANUAL**



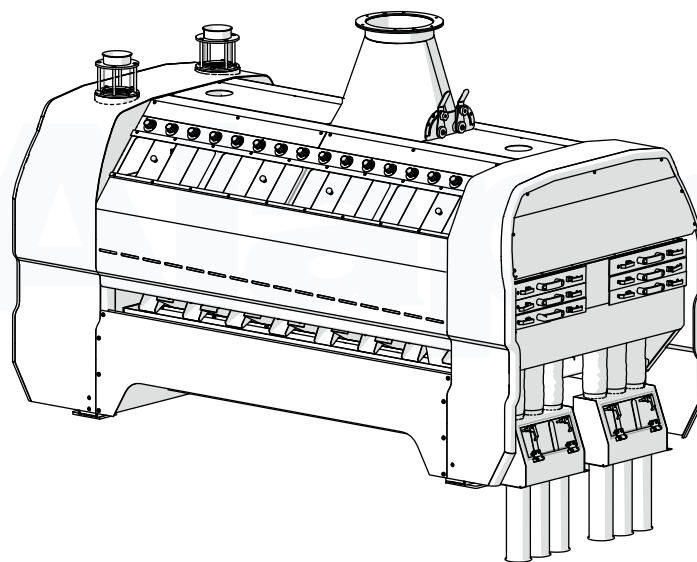
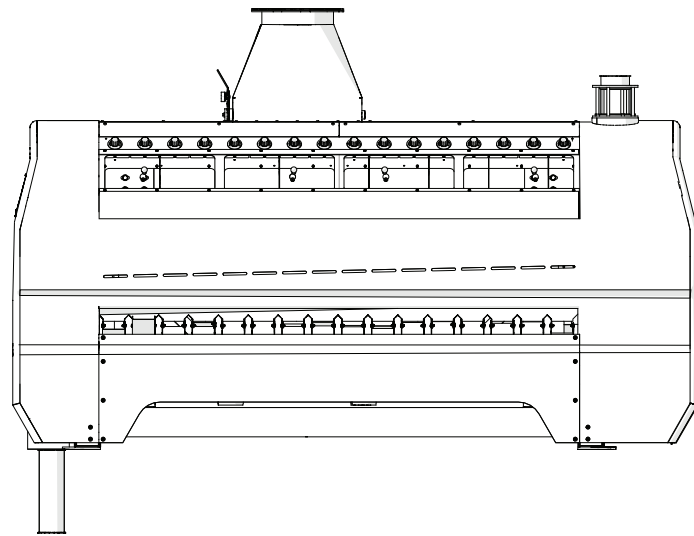
INNOVATION
MORE THAN
JUST A WORD



www.alapros.com

 **Alapros®**

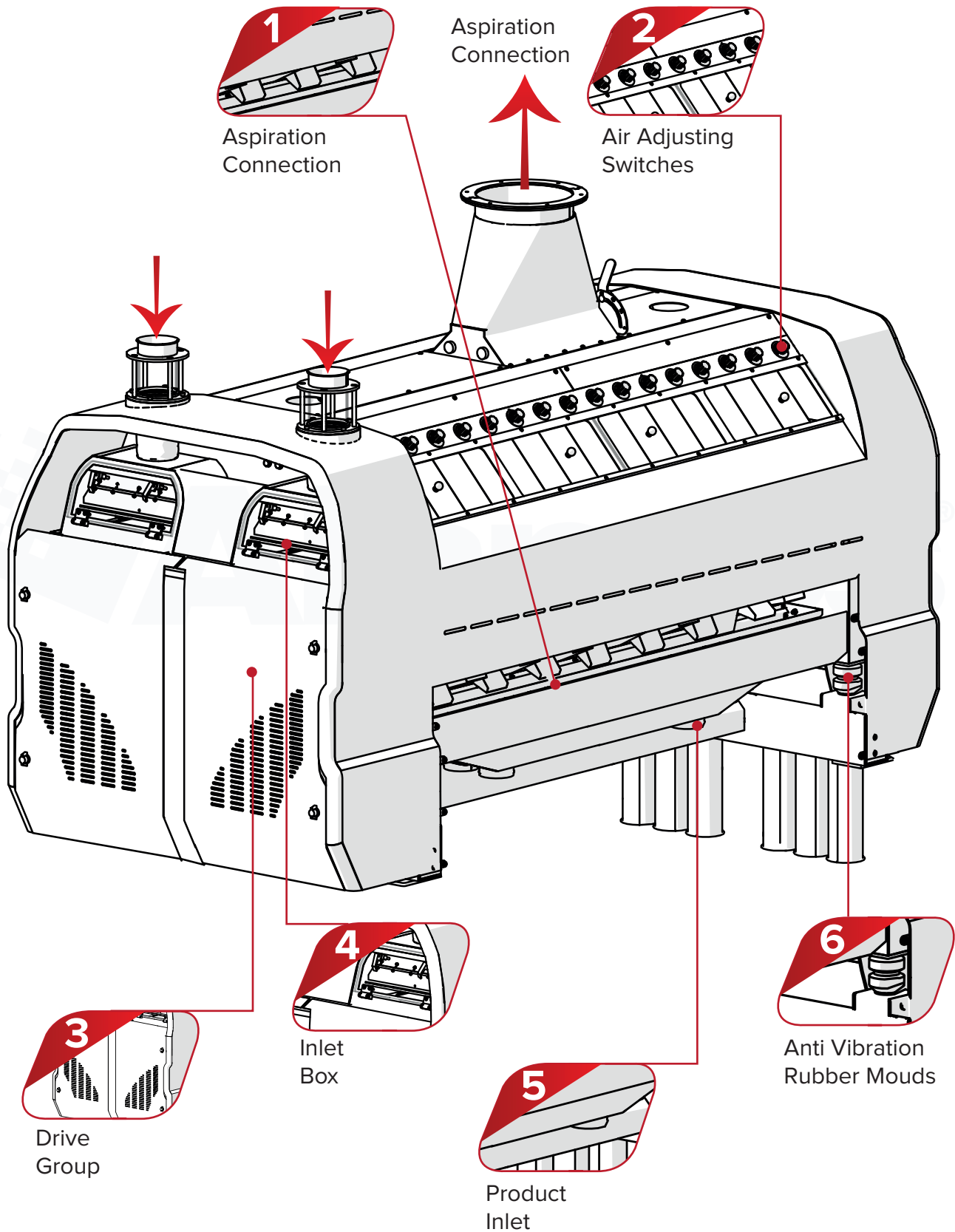
1.1.2 MODEL VERSIONS

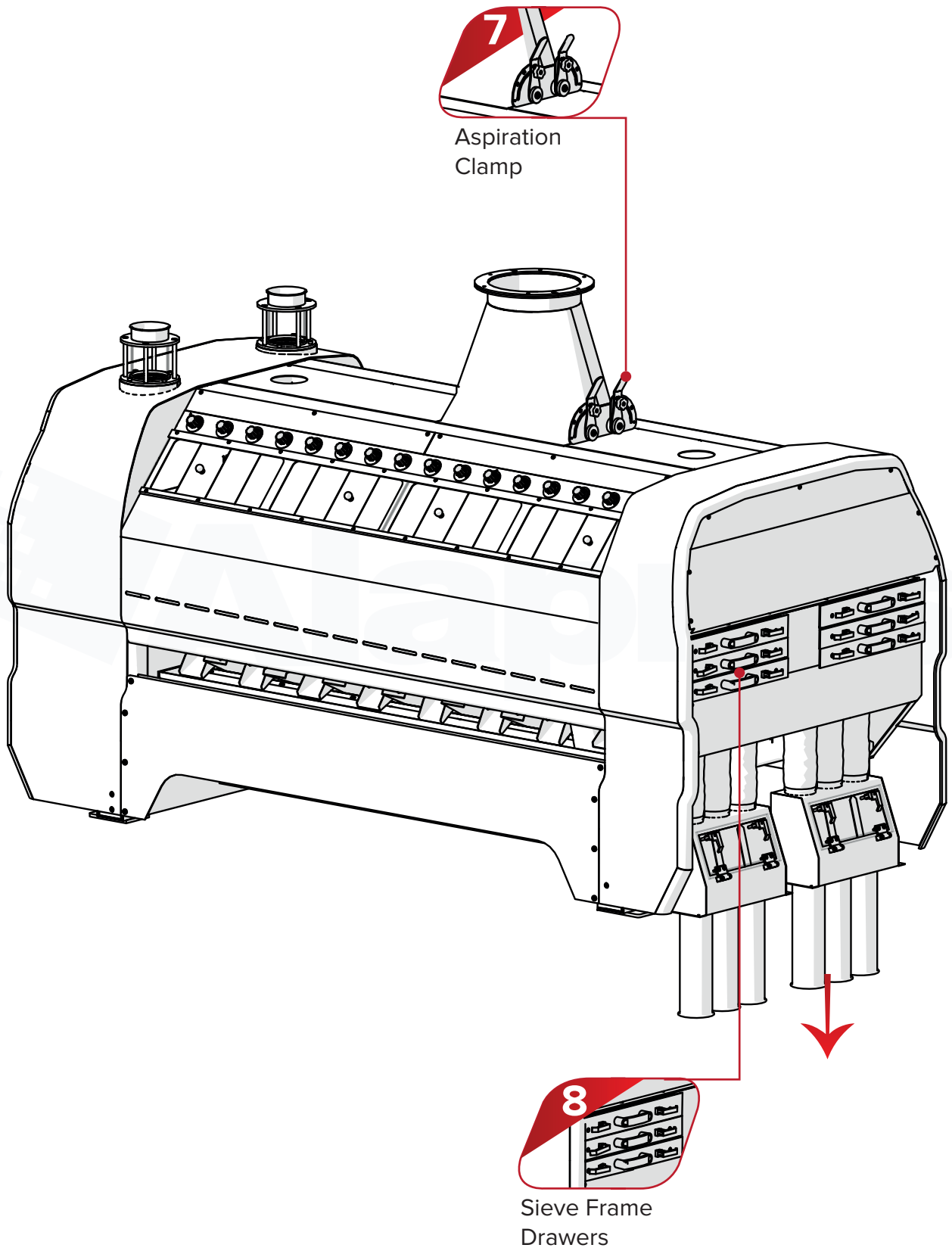


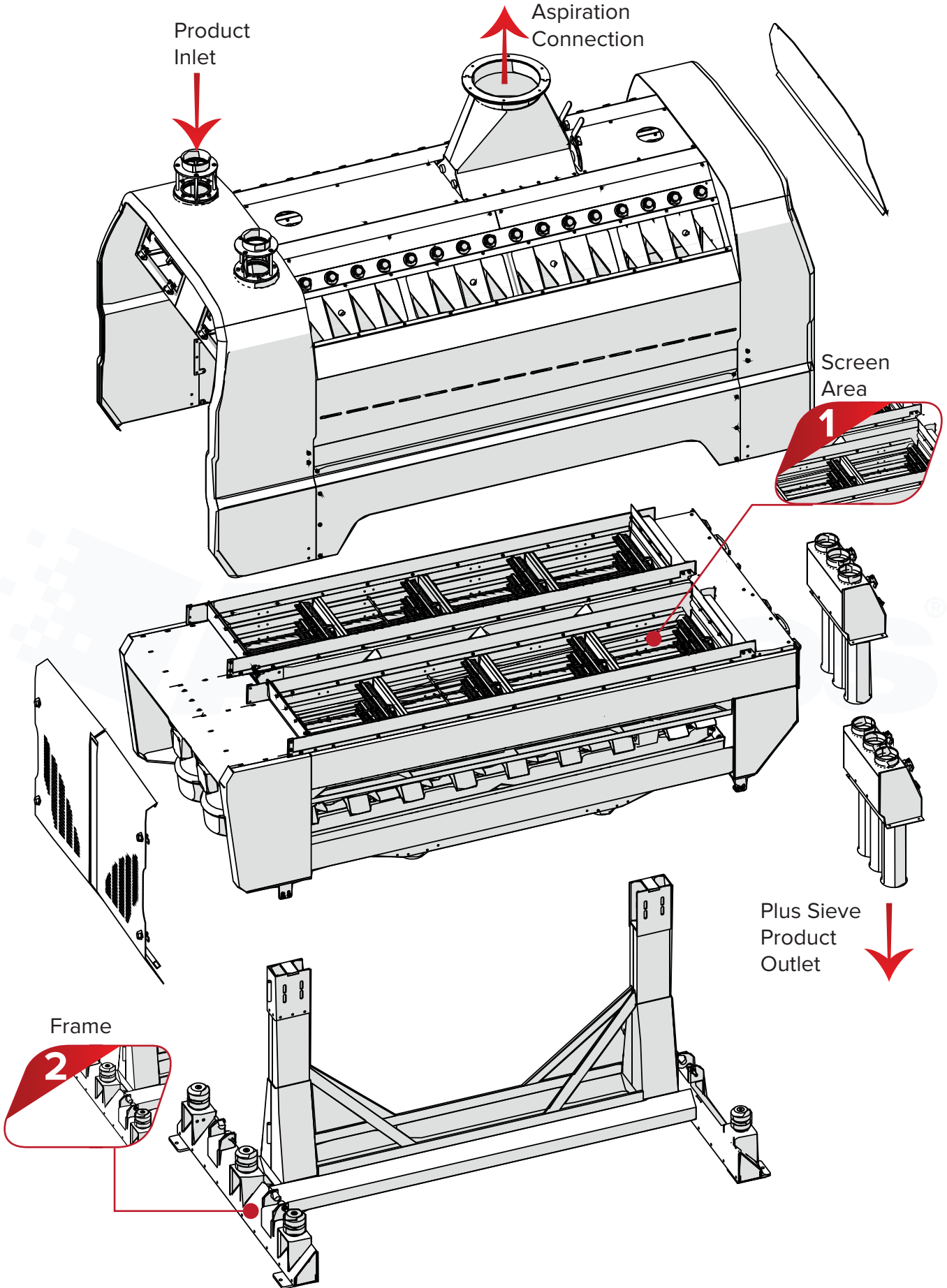
| MODEL | DIMENSIONS mm. | | | | | | TECHNICAL FEATURES | | | | |
|------------|----------------|------|------|-----|-----|-----|--------------------|--------|-------------|--------------|---------|
| | A | B | C | D | ØE | ØF | Sifter | | Motor kw | WEIGHT kg | Volume |
| | | | | | | | Width | Length | | | |
| SPR 49/200 | 2802 | 1320 | 1812 | 680 | 300 | 120 | 490 | 2000 | 2x0,4 | 1150 | 5,06M3 |
| SPR 60/204 | 2902 | 1542 | 1851 | 790 | 300 | 120 | 600 | 2040 | 2x0,4 | 1250 | 6,17 M3 |

1.2 STRUCTURE

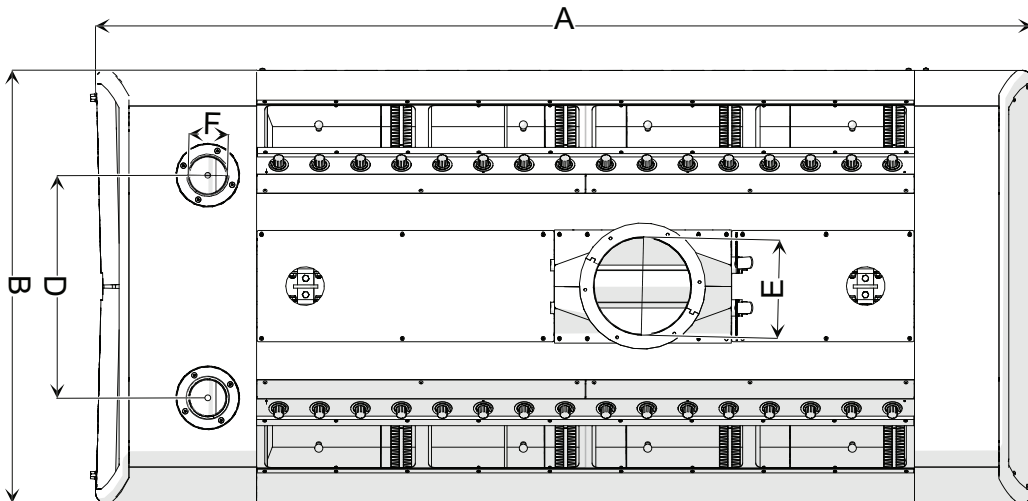
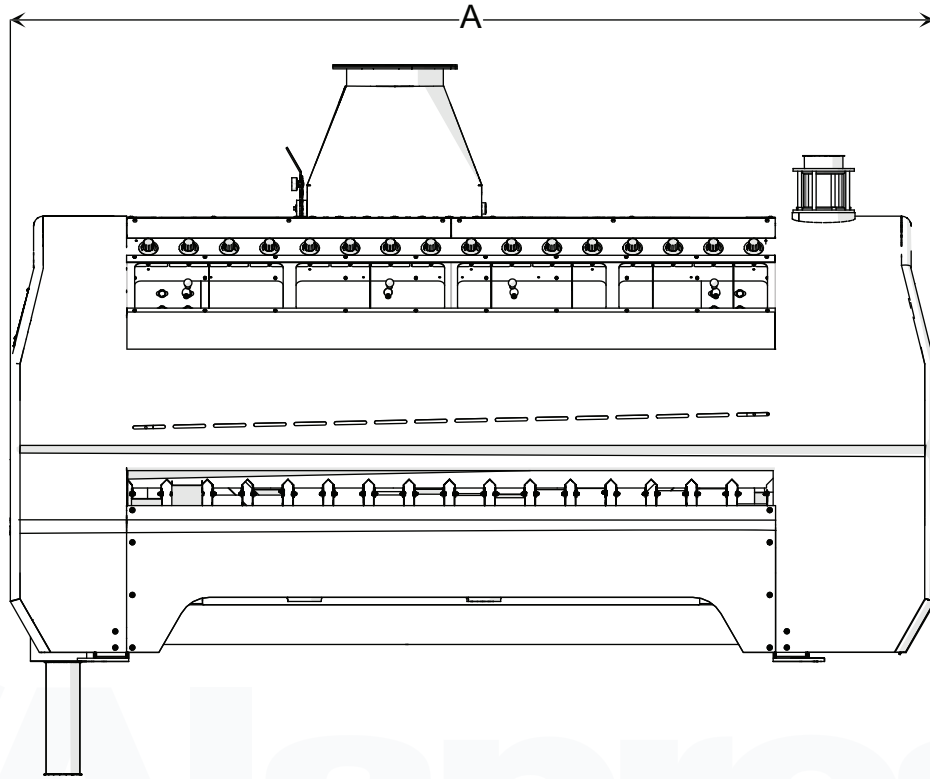
1.2.1 MAIN COMPONENTS

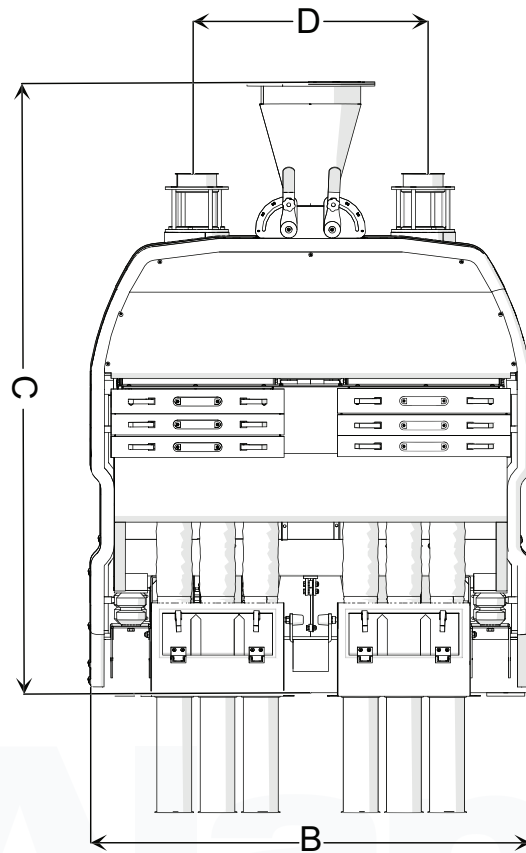






1.5 DIMENSIONS





| MODEL | DIMENSIONS mm. | | | | | | TECHNICAL FEATURES | | | | |
|------------|----------------|------|------|-----|-----|-----|--------------------|--------|-------------|--------------|---------|
| | A | B | C | D | ØE | ØF | Sifter | | Motor kw | WEIGHT kg | Volume |
| | | | | | | | Width | Length | | | |
| SPR 49/200 | 2802 | 1320 | 1812 | 680 | 300 | 120 | 490 | 2000 | 2x0,4 | 1150 | 5,06M3 |
| SPR 60/204 | 2902 | 1542 | 1851 | 790 | 300 | 120 | 600 | 2040 | 2x0,4 | 1250 | 6,17 M3 |