

PNEUMATIC
AIRLOCK
PNA

**USER
MANUAL**



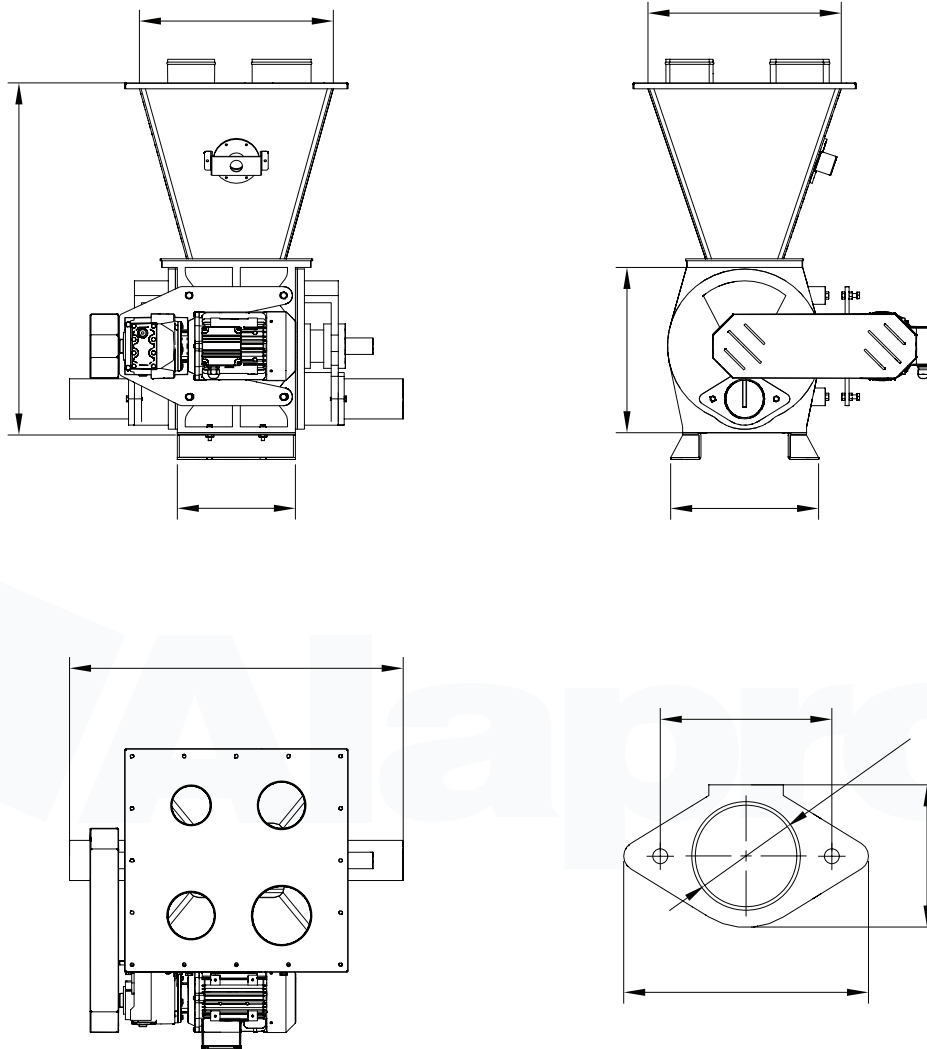
INNOVATION
MORE THAN
JUST A WORD



www.alapros.com

 **Alapros**[®]

1.9 CAPACITY AND DIMENSIONS



MODEL	DIMENSIONS mm.													
	A	B	C	D	E	F	G	H	I	J	K	KW	Capacity	ØShaft
500x500	900	1275	480	700	666	475	1000	175	233	267	267	1,5	600t/h	55
400x450	800	1000	460	550	570	450	880	120	195	245	150	0,75	30t/h	42
320x320	700	900	300	450	445	375	700	100	160	210	132	0,55	12,5t/h	42
250x250	450	750	235	400	380	310	600	70	135	166	100	0,55	5,5t/h	28
200x200	350	700	200	375	330	300	540	57	110	140	80	0,37	2,2t/h	28

1.11 ECLUSE FEATURES

