

MAGNETIC
SEPARATOR
MGS

USER
MANUAL



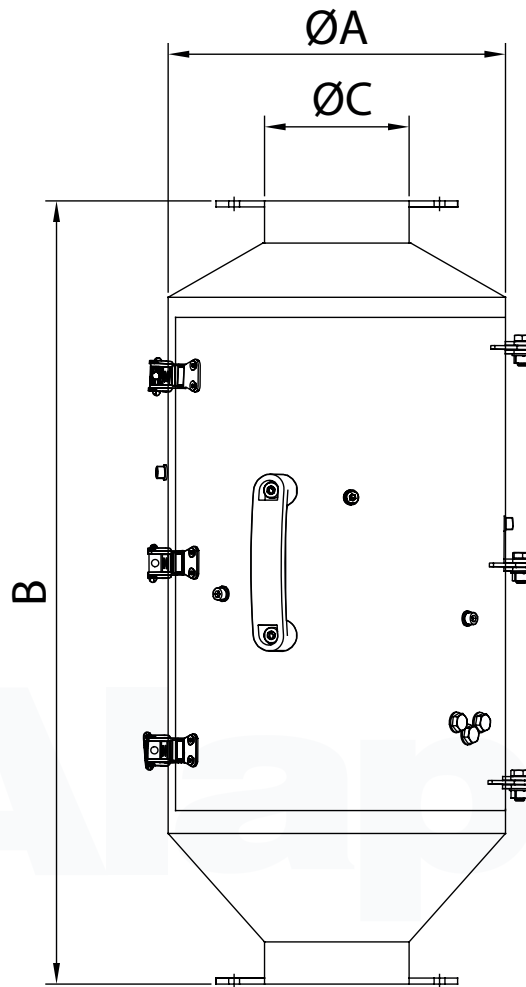
INNOVATION
MORE THAN
JUST A WORD



www.alapros.com

 **Alapros**[®]

1.8 CAPACITY AND DIMENSIONS



MODEL	DIMENSIONS mm.			TECHNICAL FEATURES				
	ØA	B	ØC	Capacity t/h				Weights kg
				Wheat	Flour	Bran	Semolina	
MGS 120	280	650	120	12	8,8	4,8	10,4	20
MGS 150	300		150	20	14,7	8	17,3	30
MGS 170	320		170	40	29,3	16	34,7	40
MGS 200	380	730	200	55	40,3	22	47,7	55
MGS 250	410	814	250	100	73,3	40	86,7	65
MGS 300	440	880	300	150	110	60	130	75