



JET
FILTER
JFL

**USER
MANUAL**



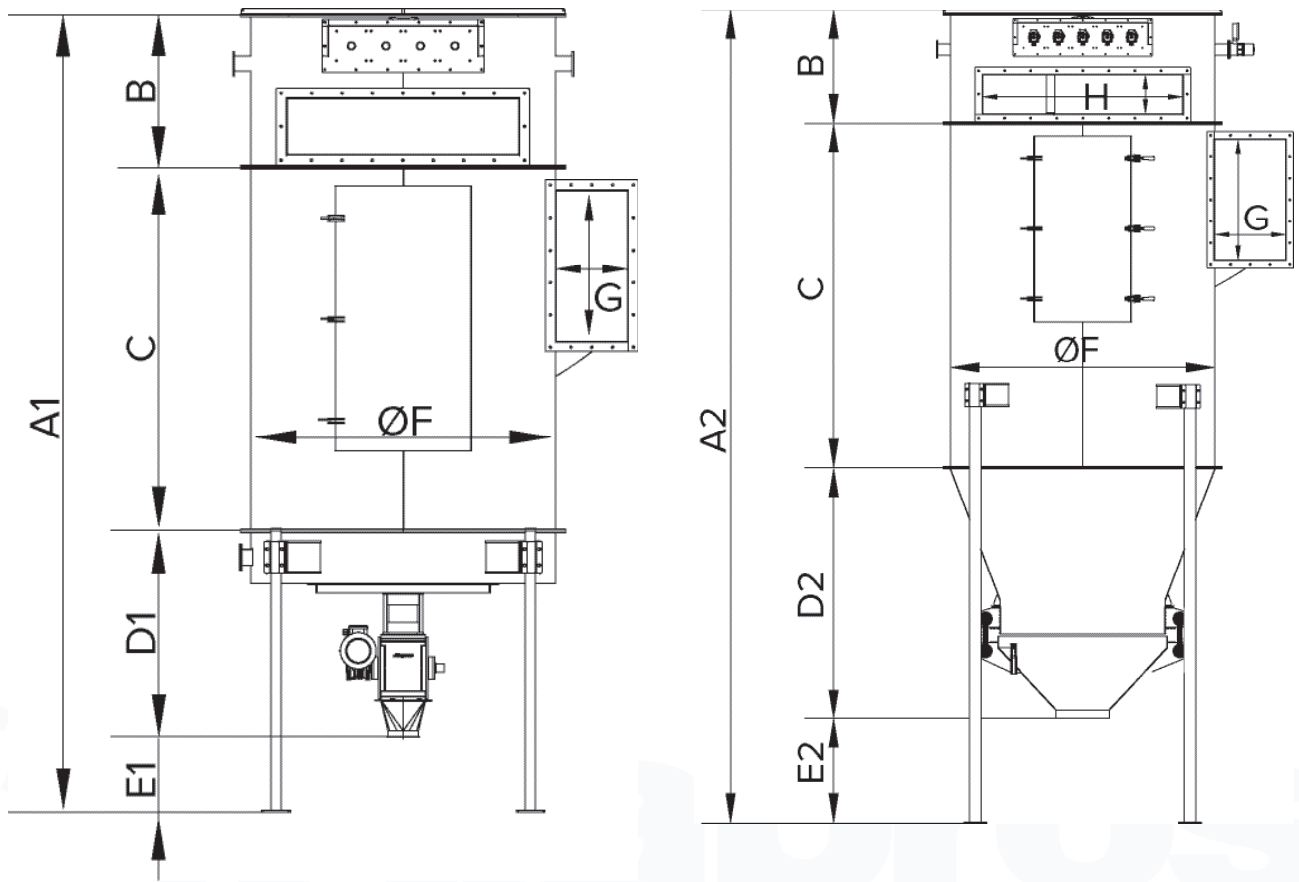
INNOVATION
MORE THAN
JUST A WORD



www.alapros.com

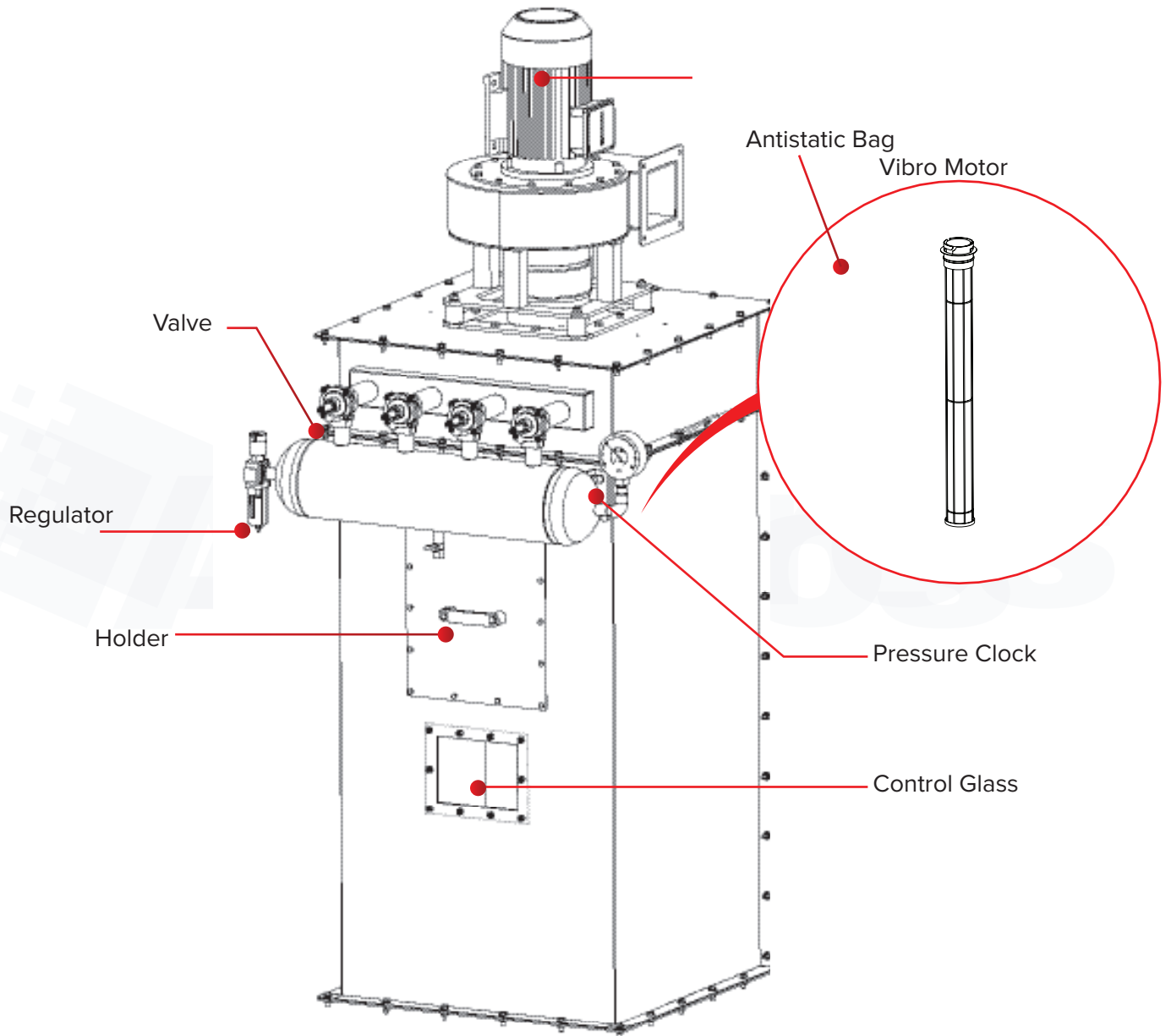
 **Alapros®**

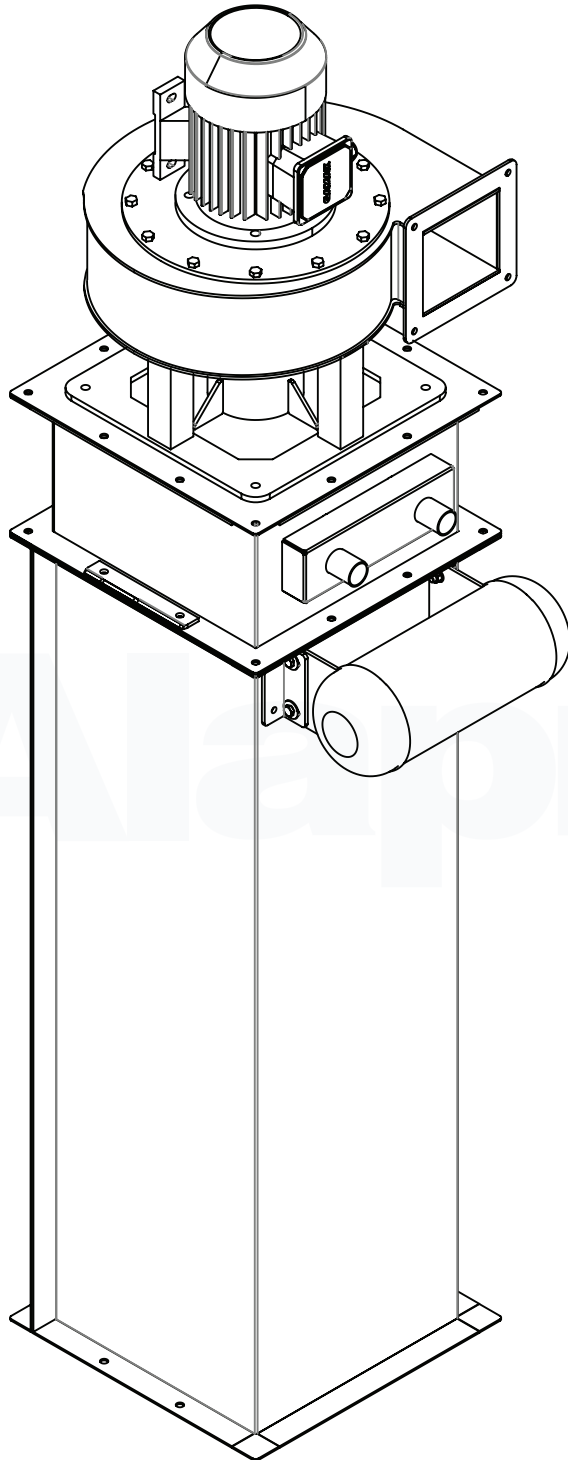
1.9 CAPACITY AND DIMENSIONS

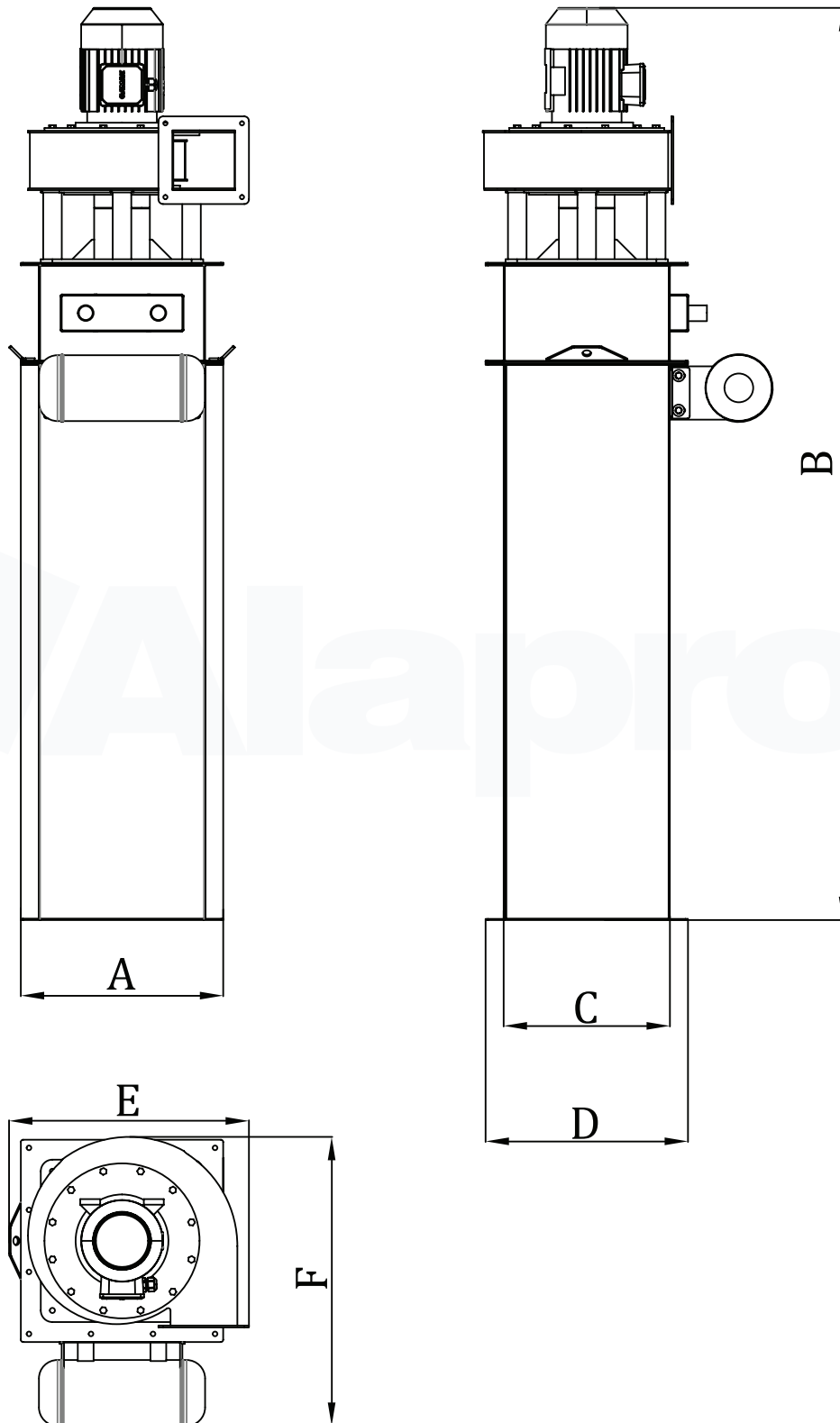


- A-** Upper Side of the Filter
- B-** Machine Body
- C-** Base Scraper
- D-** Conical 18-MB 10 PUL

MODEL	DIMENSIONS mm.											
		A1	A2	B	C	D1	D2	E1	E2	ØF	ØG	H
JFL	26	4700	5042	800	2400	1000	1242	500	600	1150	500x270	550x280
JFL	39		5142				1342			1340	650x300	800x280
JFL	52		5322				1522			1500	750x360	1150x280
JFL	78		5572				1772			1840	850x500	1400x280
JFL	104		5797				1997			2020	1200x500	1701x281
JFL	120		5797				1997			2200	1270x550	2000x280







MODEL		TECHNICAL FEATURES		
		Nr of Sleeves	Filtration Area (m ²)	Motor Power (kW)
AFL 2	6	2	0.41	2.2
	8		0.5	
	12		0.83	
AFL 4	6	4	0.75	
	8		1.11	
	12		1.66	
AFL 9	6	9	1.87	3
	8		2.49	
	12		3.73	
AFL 12	6	12	2.49	
	8		3.32	
	12		4.98	
AFL 16	6	16	3.32	
	8		4.42	
	12		6.64	

MODEL		DIMENSIONS mm.					
		A	B	C	D	E	F
AFL 2	6	435	980	180	255	485	436
	8		1180				
	12		1580				
AFL 4	6	435	980	180	435	485	620
	8		1180				
	12		1580				
AFL 9	6	595	1465	180	595	645	820
	8		1665				
	12		2065				
AFL 12	6	595	1465	180	750	645	950
	8		2065				
	12		2724				
AFL 16	6	750	1465	180	750	800	1015
	8		1665				
	12		2065				