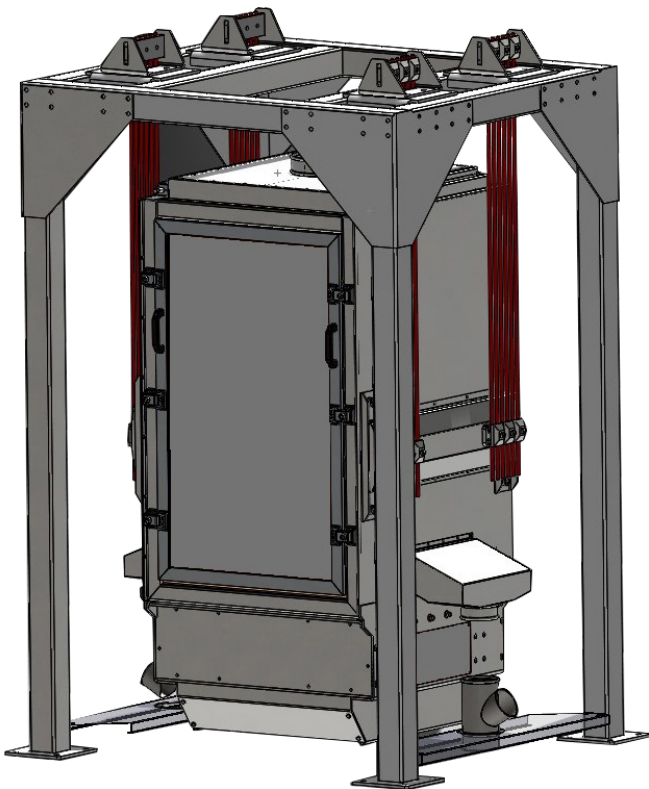


CONTROL PLANSIFTER

USER MANUAL



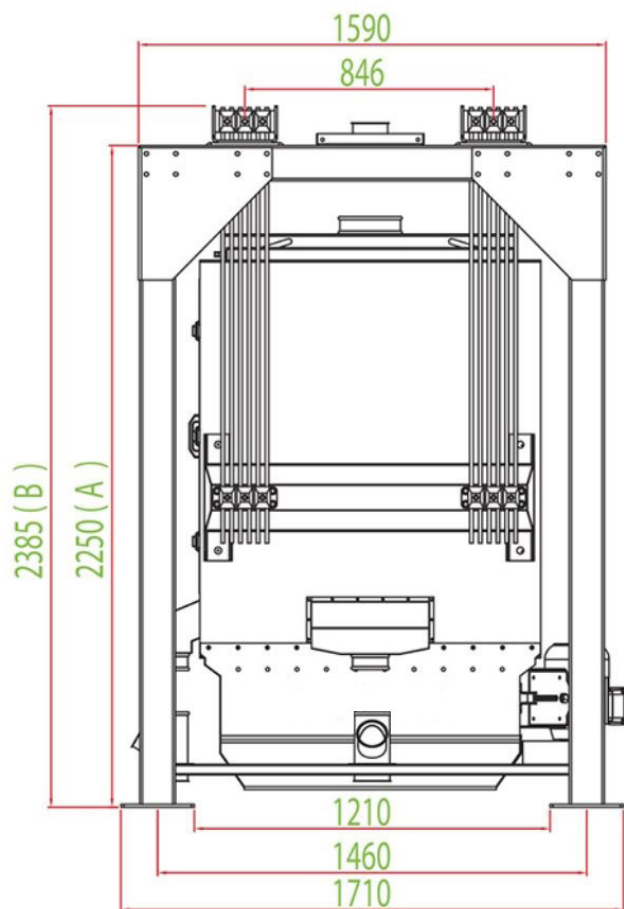
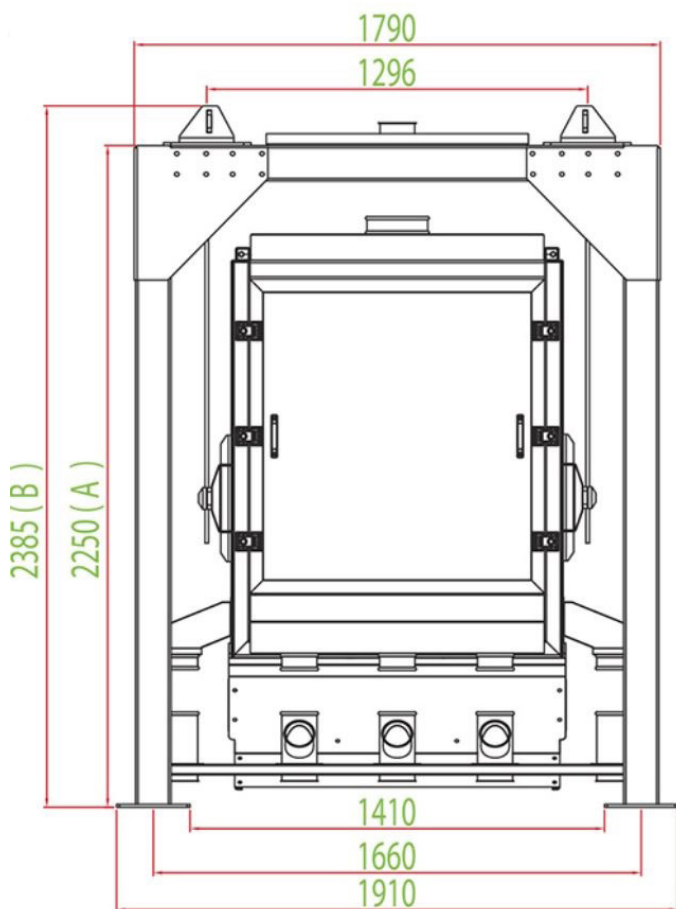
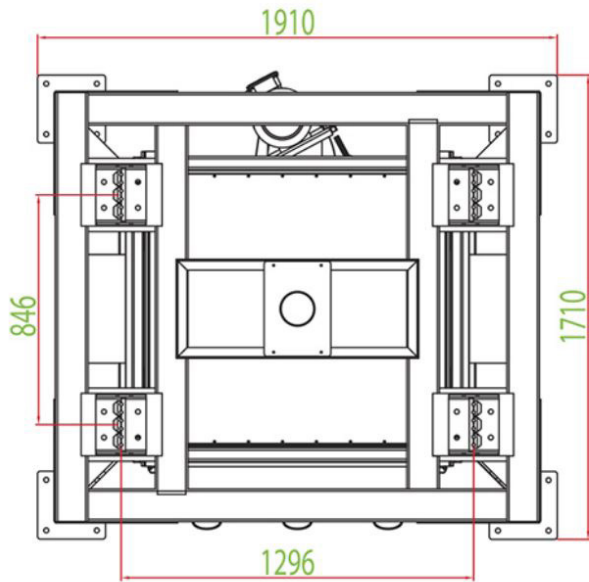
INNOVATION
MORE THAN
JUST A WORD



www.alapros.com

 **Alapros**[®]

1.1 CAPACITY AND DIMENSIONS



Type	Number of Section	Measures (mm)		Number of Sieves per Section	Total Height of Sieves
		A	B		
GMA 1/8-1000	1	2100	2085	8-4	89
GMA 1/12-1000	1	2250	2385	12-B	119



Approximate Sifting Area (m ²)				Engine Speed (rpm)	Machine Speed (rpm)	Motor kw Engineer kw	Machine Working Circle Diameter (mm)	Approximate Weight (kg)
G TIP-W TYPE		N TIP-N TYPE						
Max.	Min.	Max.	Min.					
6,98	3,49	-	-	1000	245	1,5	65	1100
10,47	6,98	-	-	1000	245	1,5	65	1400