

CLASSIFIER  
DESTONER  
*CDS*

**USER  
MANUAL**



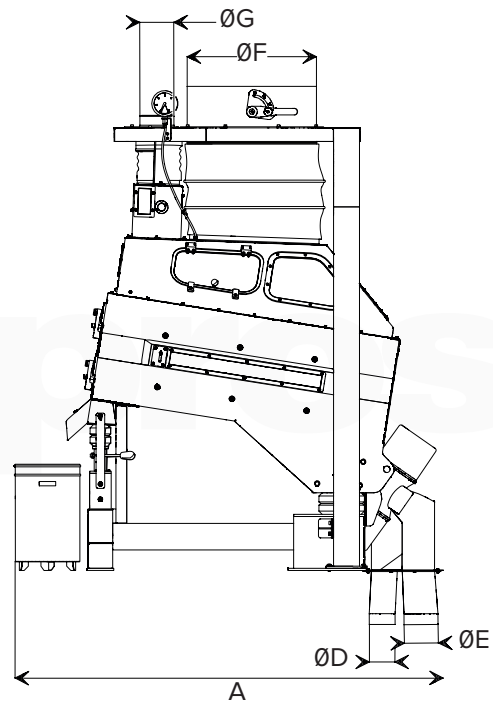
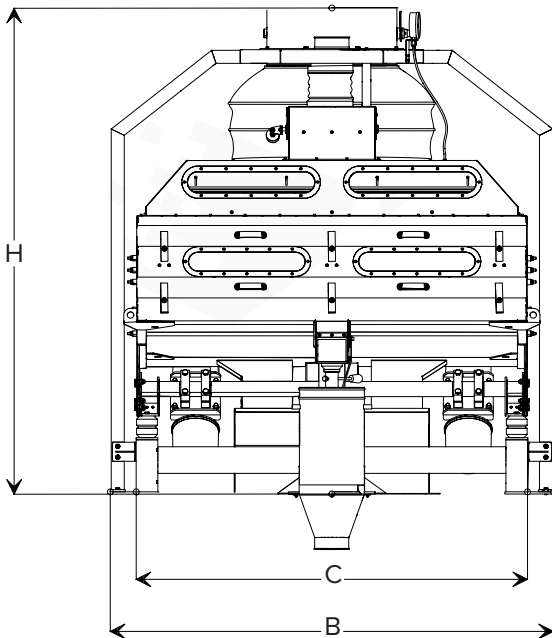
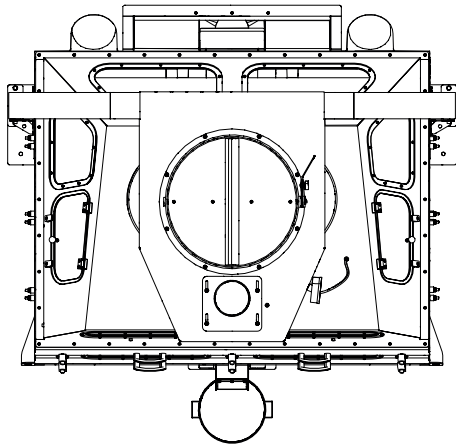
INNOVATION  
MORE THAN  
JUST A WORD



[www.alapros.com](http://www.alapros.com)

 **Alapros<sup>®</sup>**

## 1.8 STRUCTURAL FEATURES



MODEL	DIMENSIONS mm.								WEIGHT kg.
	A	B	C	H	ØD	ØE	ØF	ØG	
CDS 80	1050	2010	800	2190	120	150	350	120	450
CDS 120	1510	2010	1260	2190	120	150	500	150	540
CDS 180	2050	2010	1800	2190	120	150	600	150	760

## 1.11 CLASSIER DRY STONER FEATURESTECHNICAL

The Classier Dry Stoners of the CDS Series are normally placed horizontally.

