

# AUTOMATIC PACKING MACHINE (5/10)

**USER  
MANUAL**

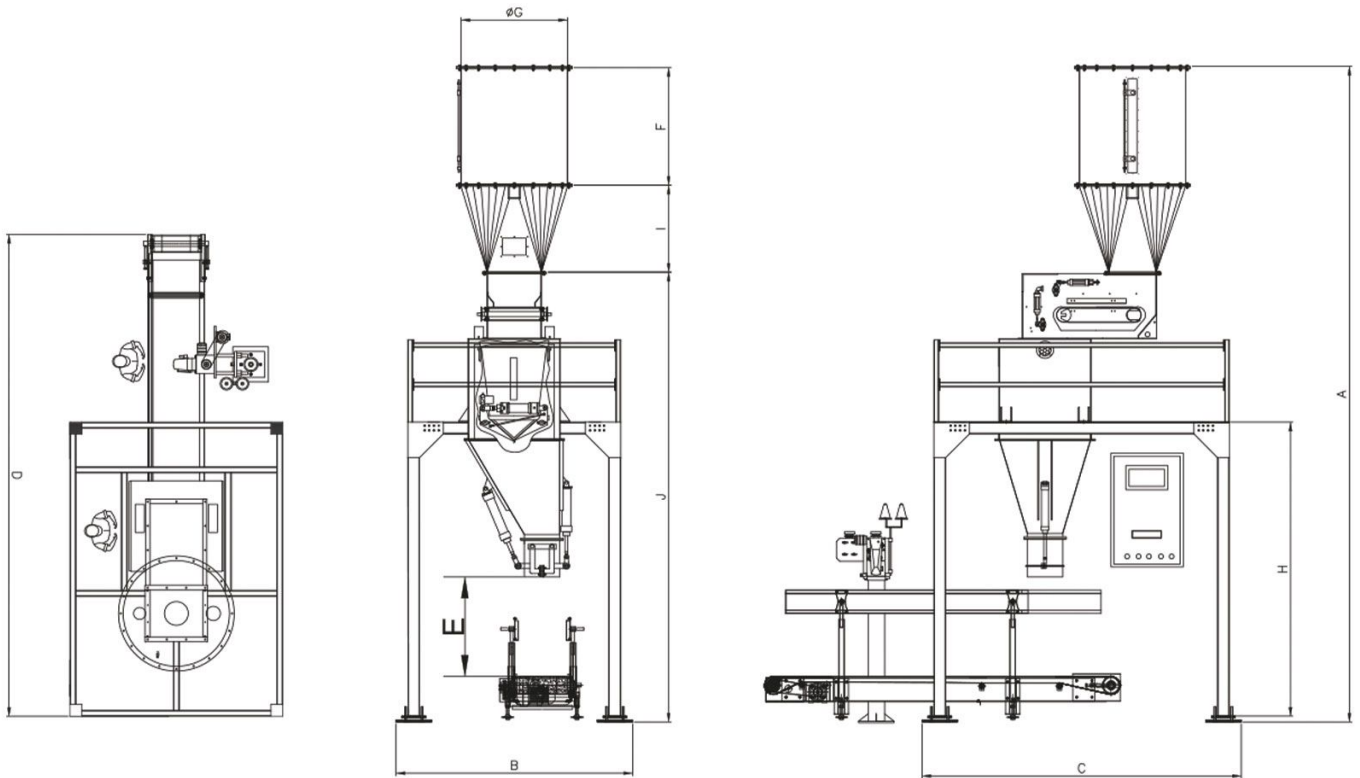


INNOVATION  
MORE THAN  
JUST A WORD



[www.alapros.com](http://www.alapros.com)

 **Alapros**



MODEL	DIMENSIONS mm.						TECHNICAL FEATURES		
	A	B	C	D	E	ØF	*Capacity t/h	Bag/Min	Weights kg
APM 5/10 DS Double Weighing Double Filling	6588	3874	3000	3000	3400	1340	8-9	13-14	2300
APM 5/10 SS Double Weighing Single Filling	6235	4476	3000	3000	3975	1340	4-5	6-7	2300

\*Capacities have been calculated by considering wheat flour.