

AUTOMATIC MOISTURE  
CONTROL MACHINE  
*AMC*

**USER  
MANUAL**

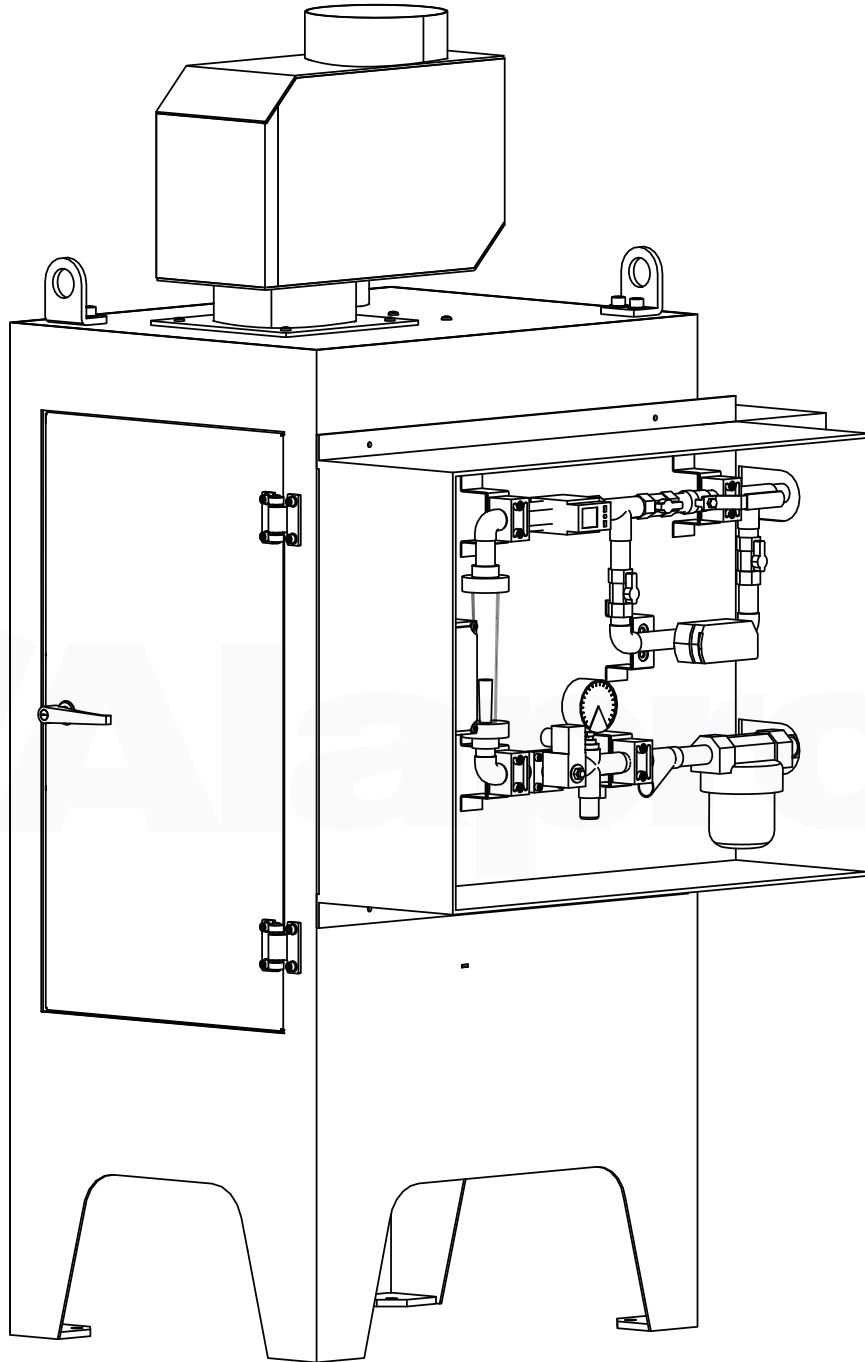


INNOVATION  
MORE THAN  
JUST A WORD



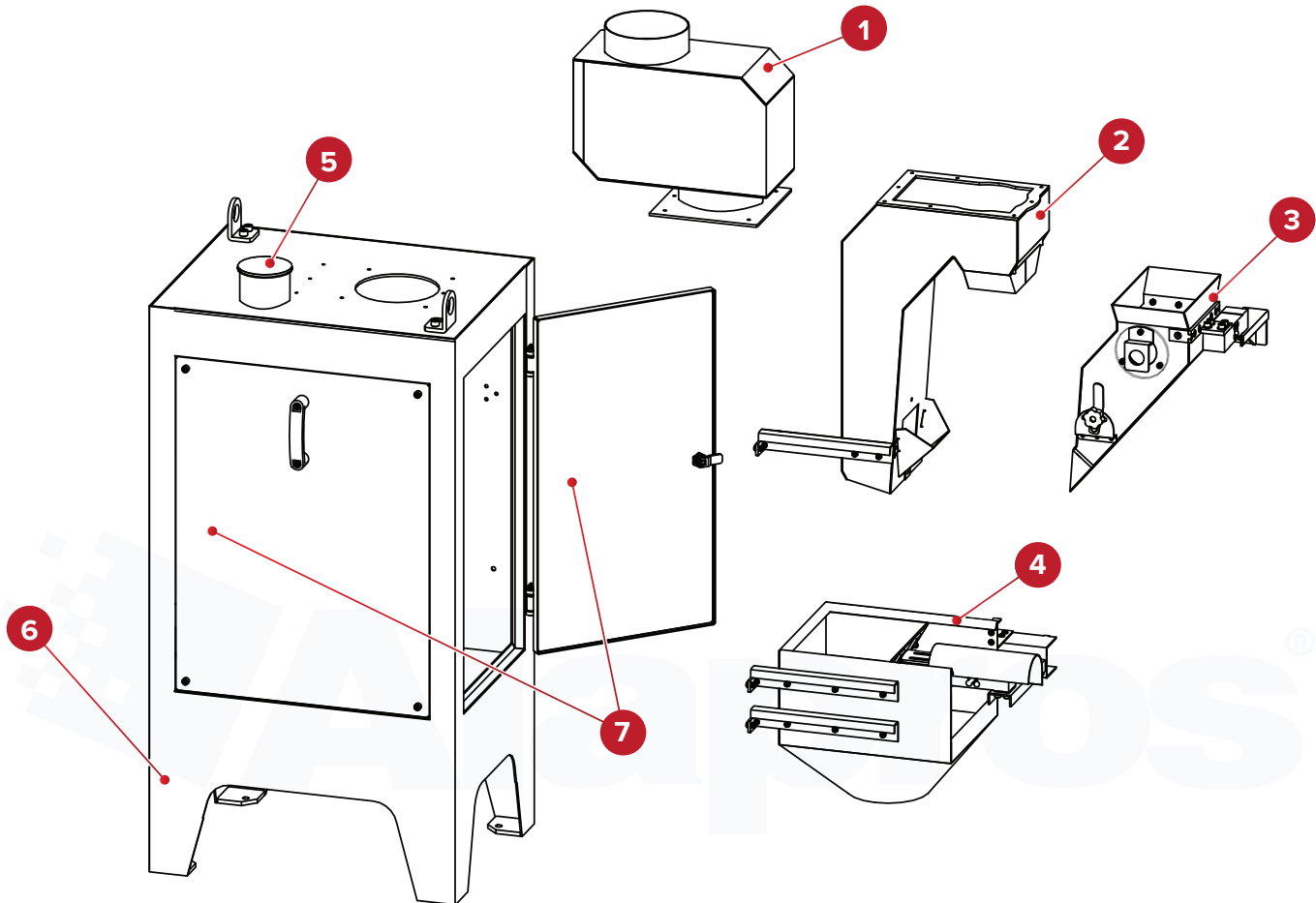
[www.alapros.com](http://www.alapros.com)

 **Alapros**<sup>®</sup>



## 1.10 FEATURES OF THE AUTOMATIC MOISTURE CONTROL MACHINE

Automatic Moisture Control Machine of AMC Series is placed horizontally.



1. Impact Box
2. Flow meter
3. Moisture measurement
4. Weight measurement
5. Ventilation
6. Body
7. Control covers