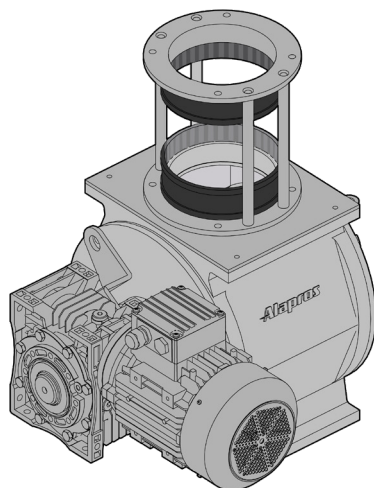




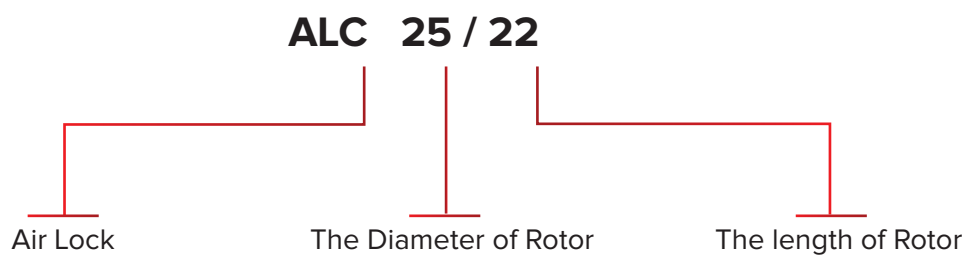
# SPECIFICATIONS

---



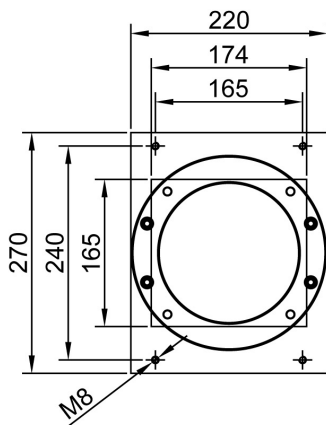
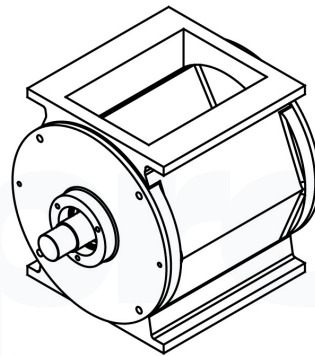
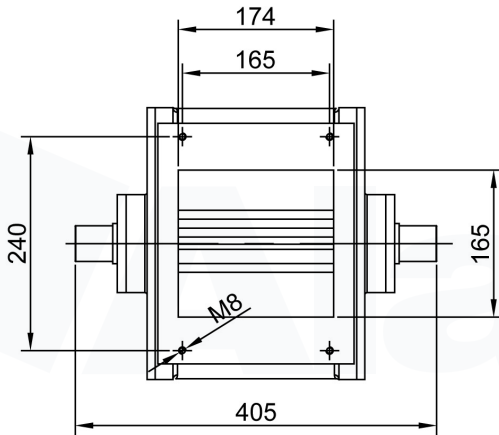
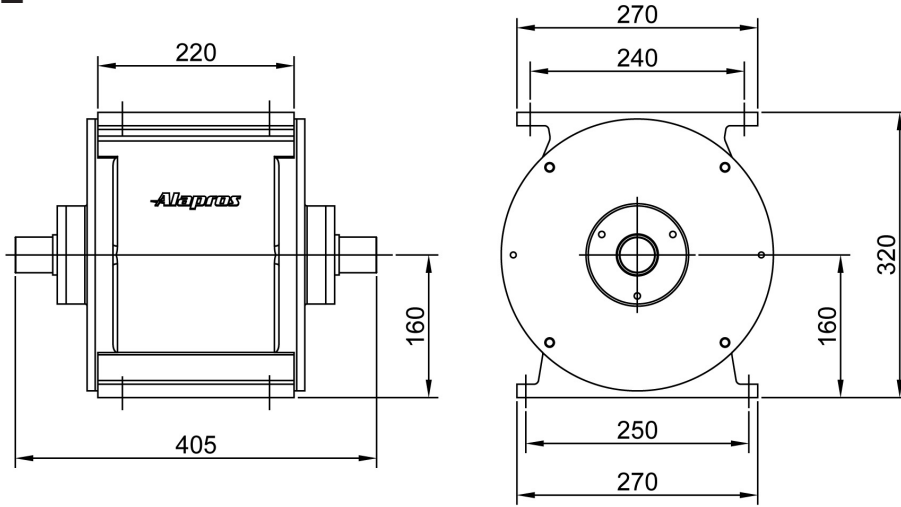
## 1.8 IDENTIFICATION

### 1.8.1 TYPE CODE EXPLANATIONS

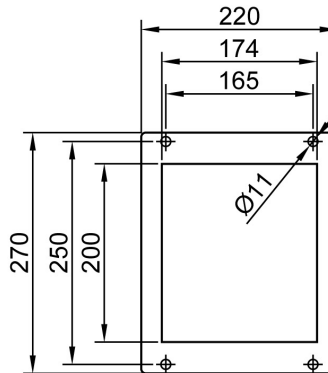


## 1.9 DIMENSIONS

### ALC 25 / 22

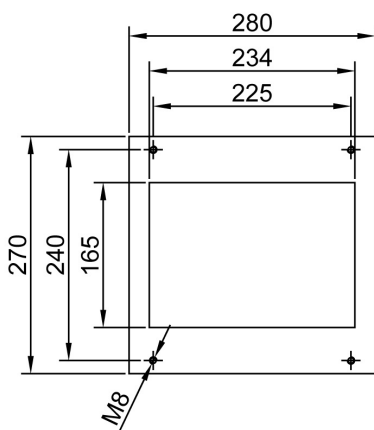
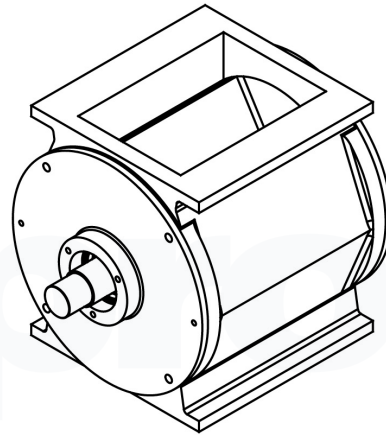
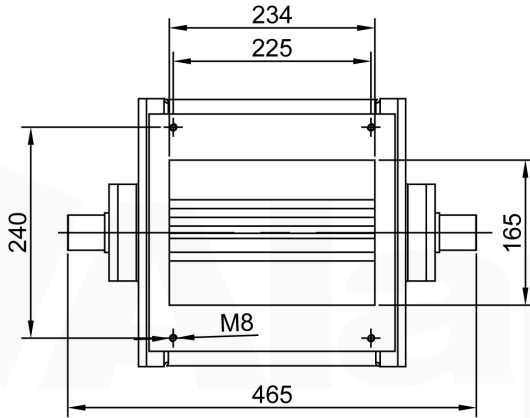
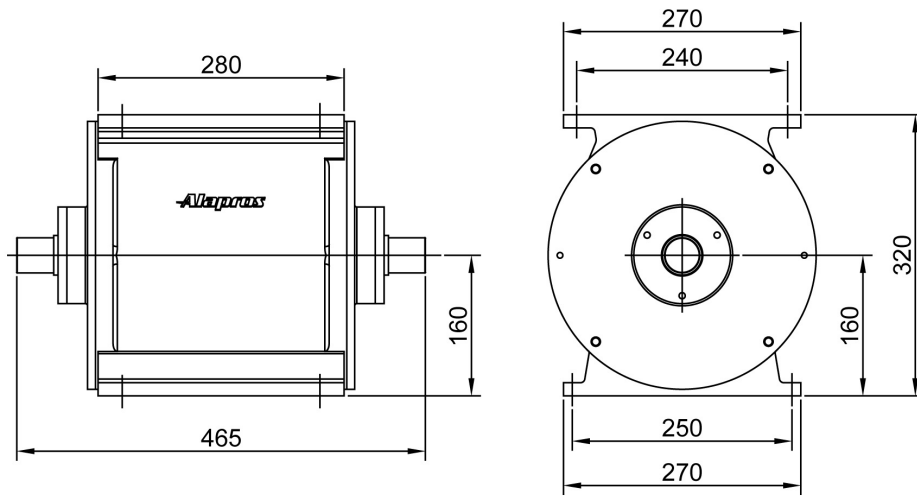


Inlet Flange

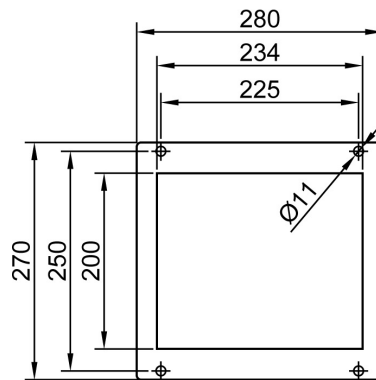


Exit Flange

# ALC 25 / 28

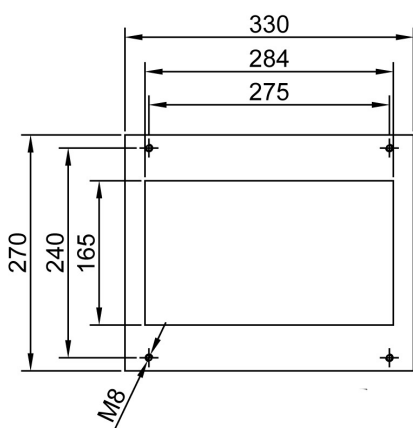
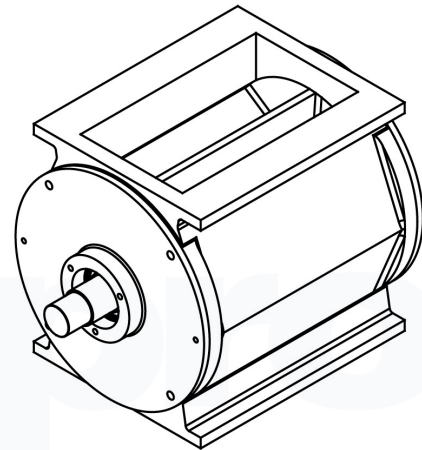
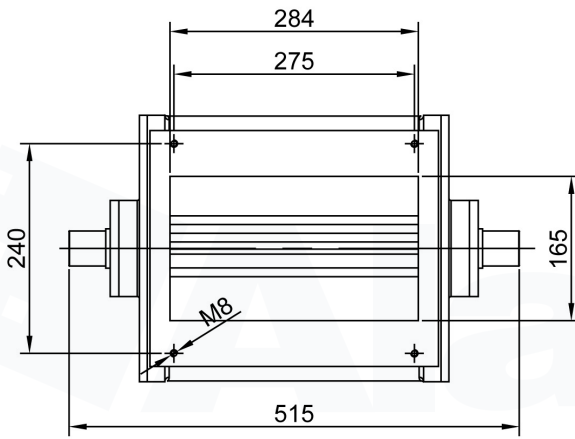
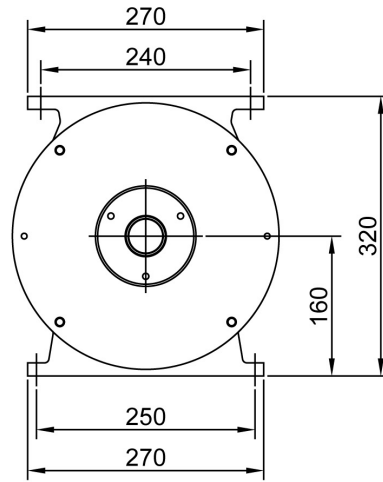
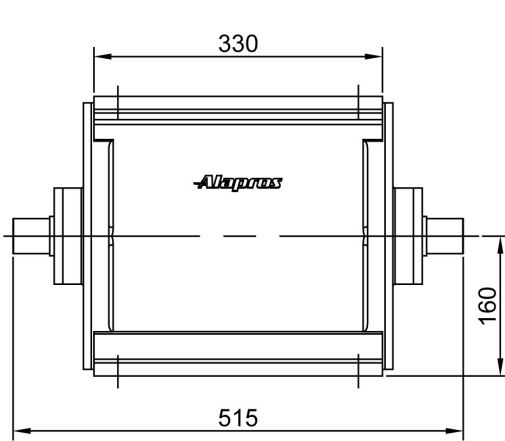


Inlet Flange

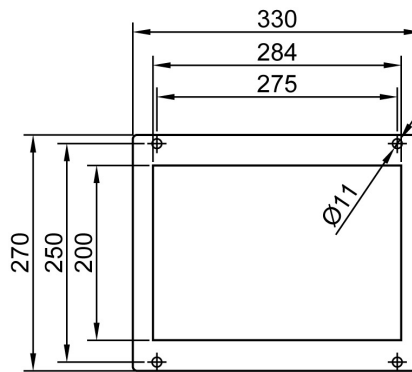


Exit Flange

**ALC 25 / 33**



Inlet Flange



Exit Flange