

VIBRATORY GRAIN SEPARATOR VGS

USER MANUAL



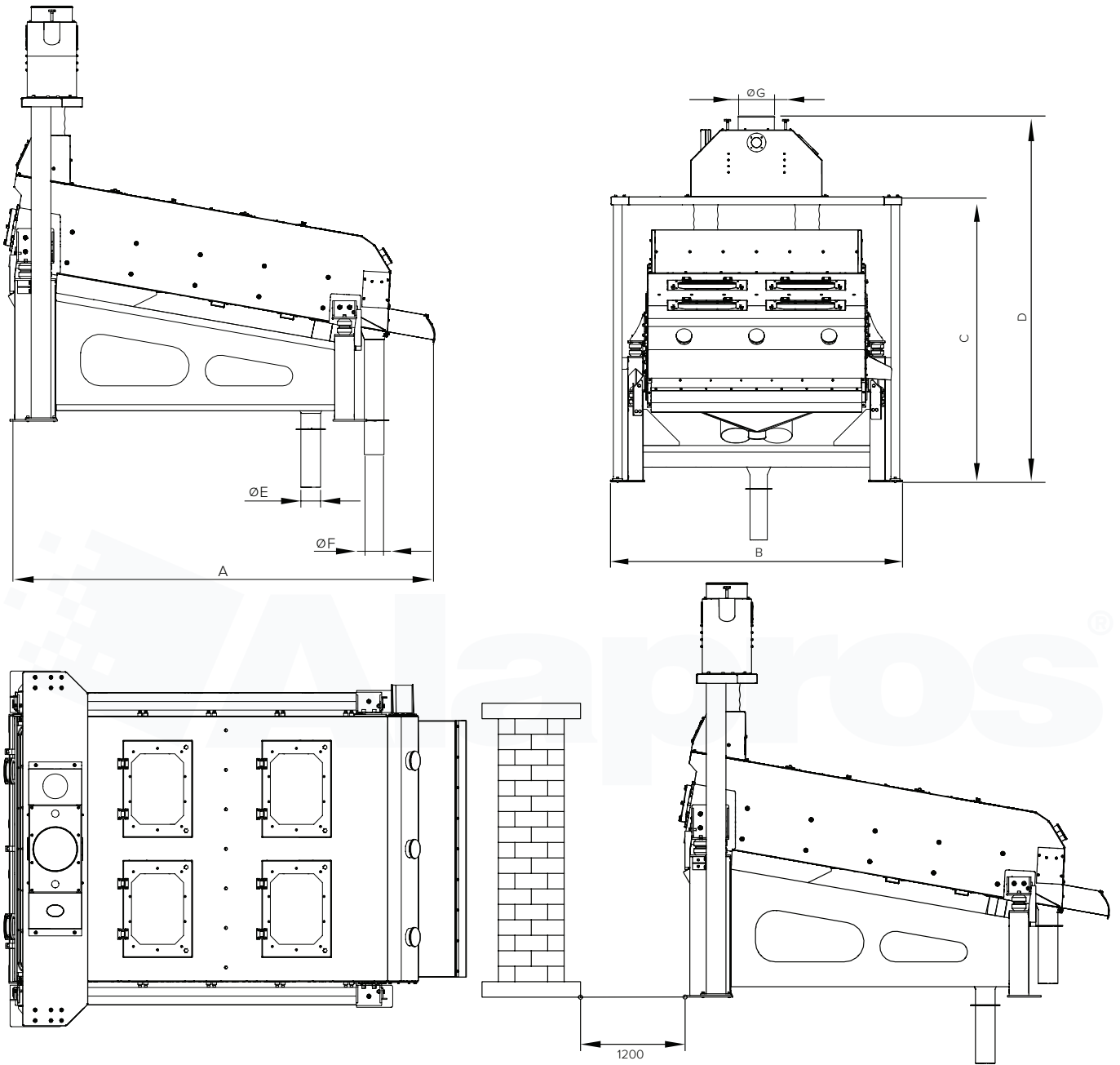
INNOVATION
MORE THAN
JUST A WORD



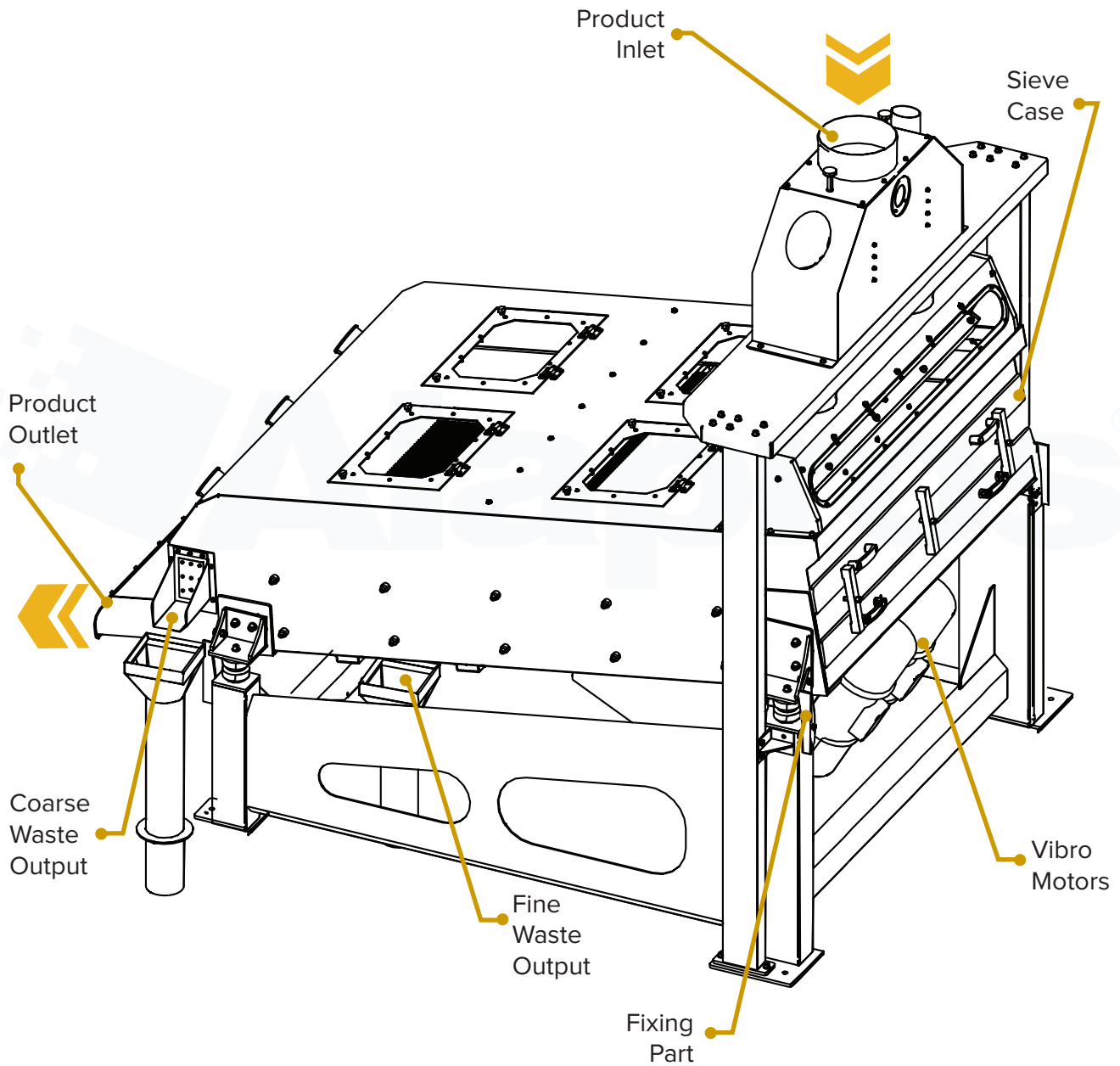
www.alapros.com

 **Alapros**[®]

1.2 CAPACITY AND DIMENSIONS



MODEL	DIMENSIONS mm.							TECHNICAL FEATURES						
	A	B	C	D	ØE	ØF	ØG	Capacity t/h		Sifter		Motor kw	Weights kg	
								Silo	Cleaning	Width	Length			
VGS 60/100	1580	1100	1670	1900	120	120	120	18	4	600	1000	2x0,35	550	
VGS 100/150	2080	1500	1820	2050				150	30	7	1000	2x750	2x0,4	720
VGS 100/200	2580	1500	1965	2290				200	40	10	1000	2x1000	2x0,4	900
VGS 150/200	2580	2000	1965	2530				250	80	24	1500	2x1000	2x0,4	1100



SIDE BODY MOTOR

