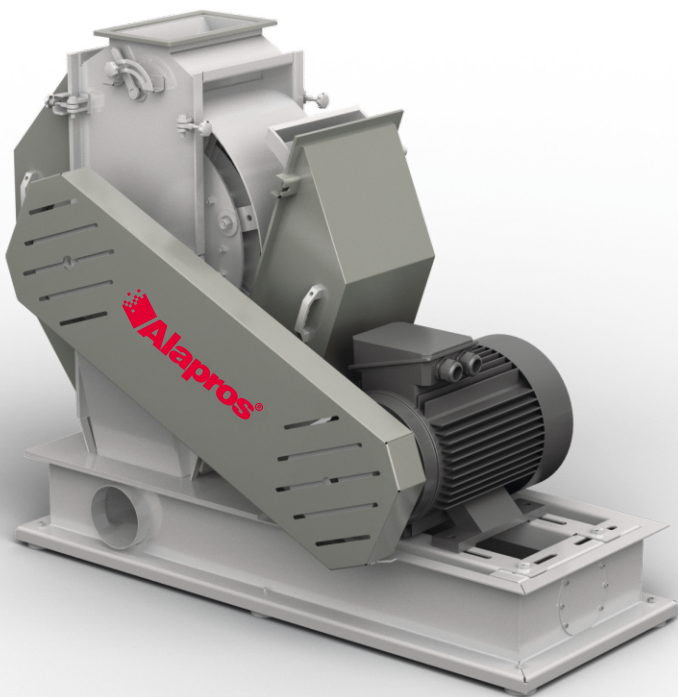


# HAMMER MILL BROYEUR A MARTEAUX

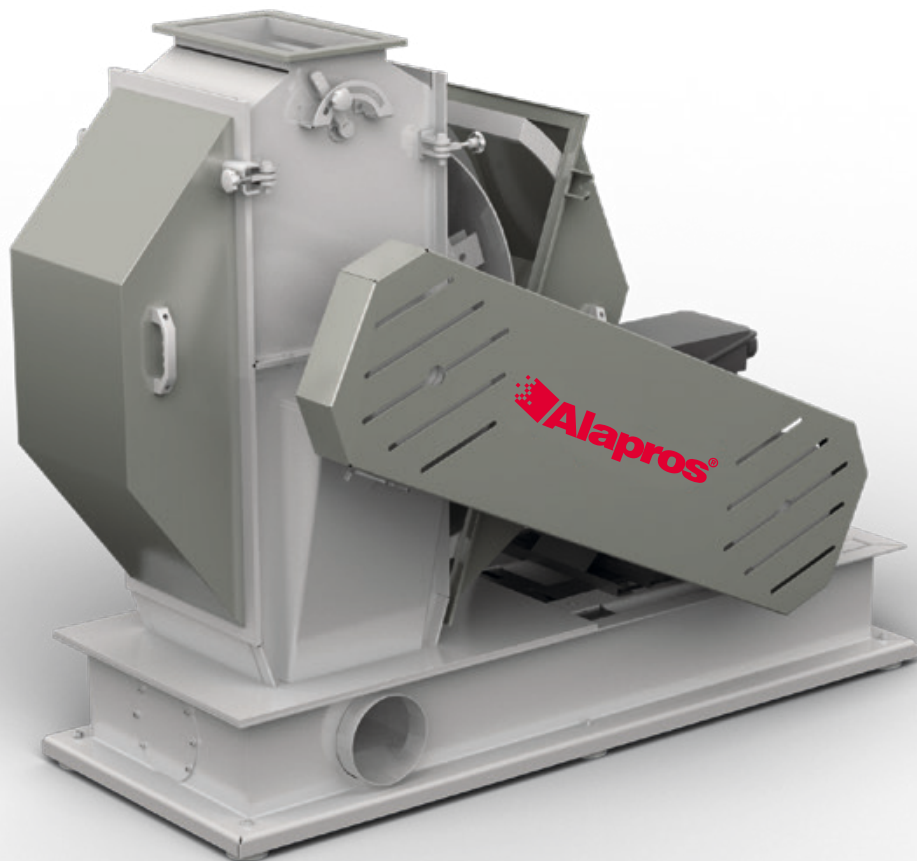


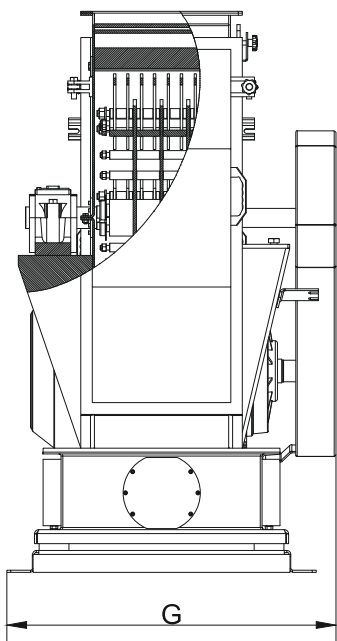
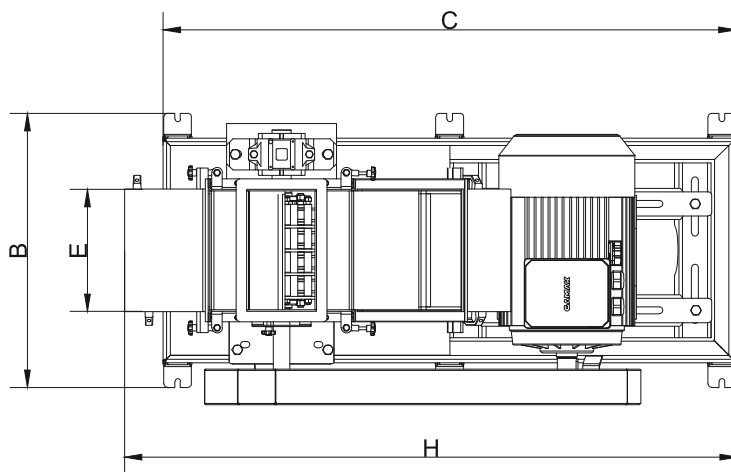
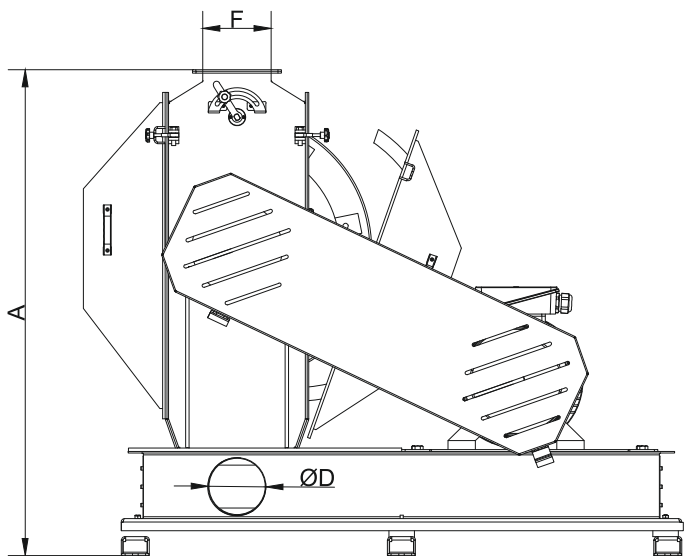
INNOVATION  
MORE THAN  
JUST A WORD

# HAMMER MILL

## BROYEUR A MARTEAUX

The usable wastes (broken wheat, husk, hayseed, etc.) coming out from wheat cleaning machines of flour industry are grinded with the aid of hammer mill and then transferred to requested point in the plant by pneumatic transport system.





MODEL	DIMENSIONS mm								*Capacity kg/hr	Motor Kw	Weights kg
	A	B	C	ØD	E	F	G	H			
HMM 22	1422	785	1641	170	340	200	835	1756	1200	22	650
HMM 30									2000	30	670

\*Capacities have been calculated by considering wheat usage.



---

**Sales & Project Offices**

Via Nona Strada 23 Z.I.  
35129 Padova / ITALY  
Phone : +39 049 099 0 383  
sales@alapros.com

---

Ege Plaza  
Mevlana Bulvarı  
No: 182 Suite: 90  
06530 ANKARA / TURKEY  
Phone : +90 312 285 85 47

**Production plant**

OSB 12. Cad. No:17  
19040 ÇORUM / TURKEY  
Phone : +90 364 250 1250  
Fax : +90 364 250 1255

info@alapros.com  
**www.alapros.com**