

EXTRACTION
SCALE
ESB

**USER
MANUAL**



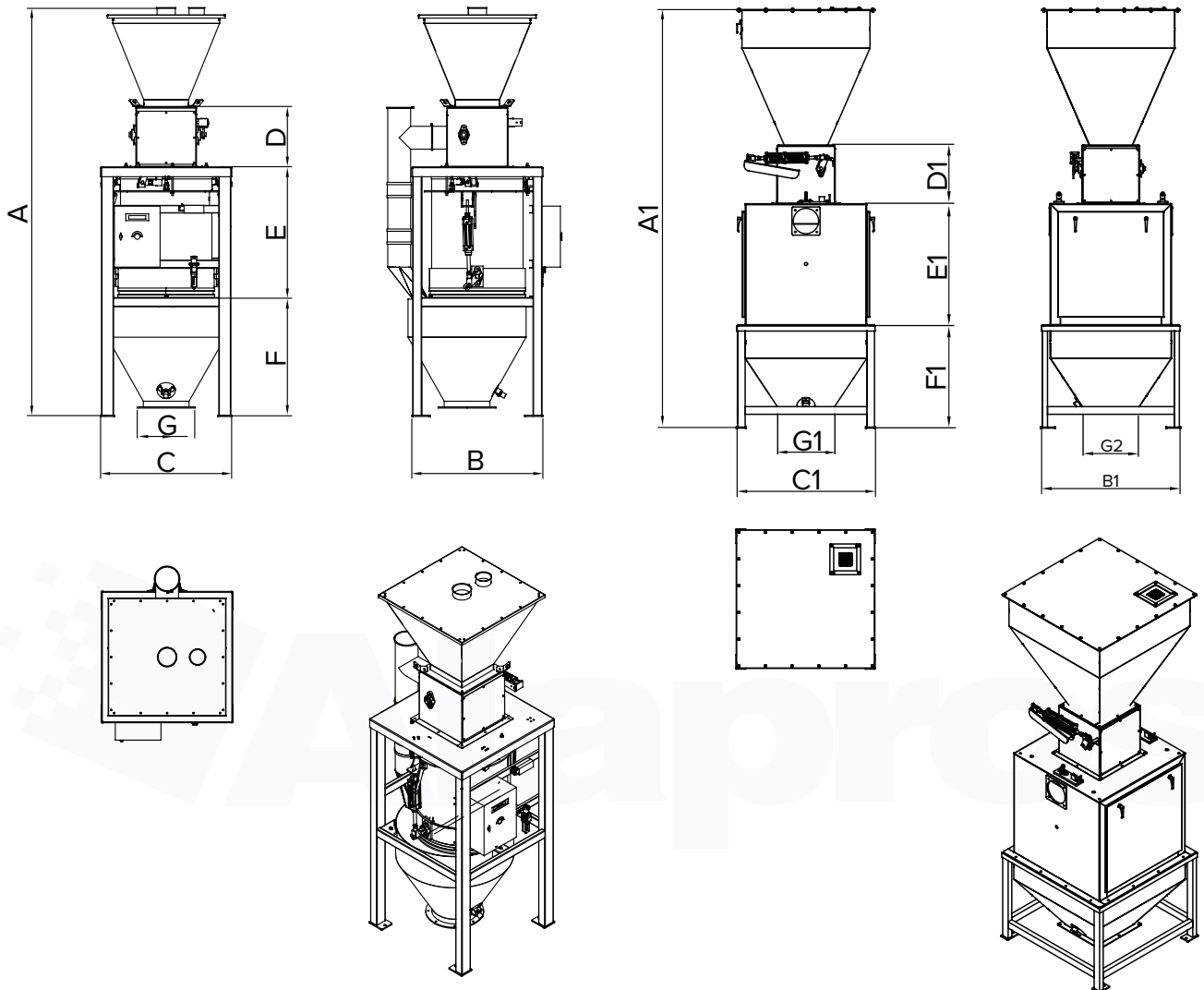
INNOVATION
MORE THAN
JUST A WORD



www.alapros.com

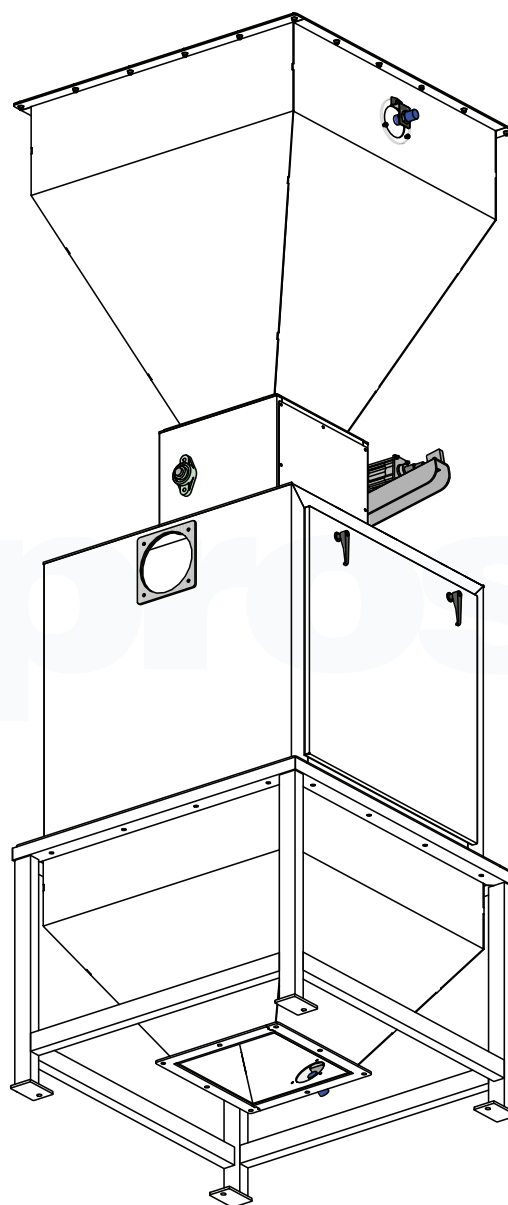
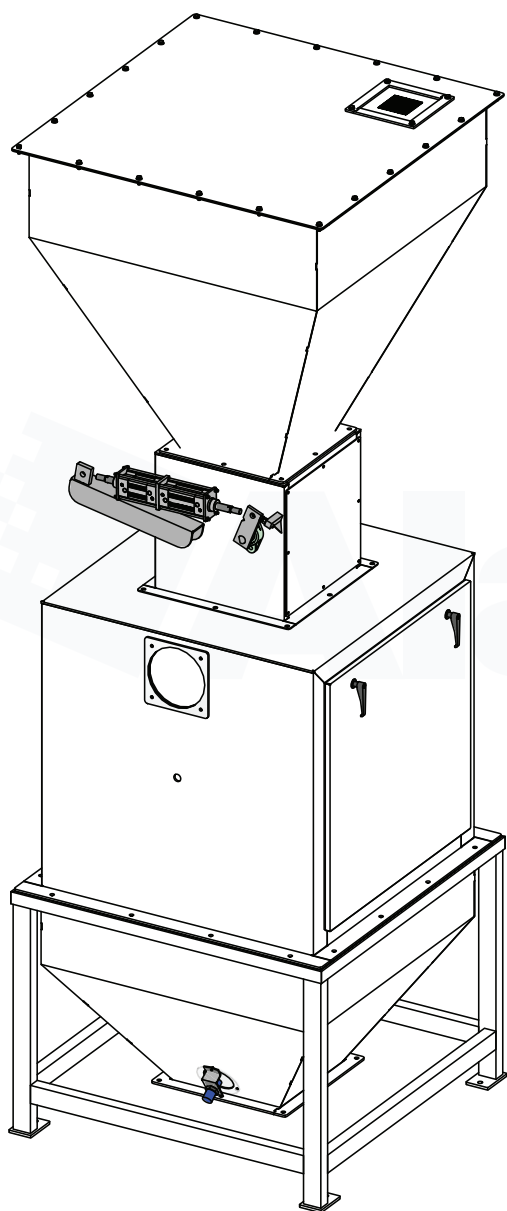
 **Alapros®**

1.9 CAPACITY AND DIMENSIONS

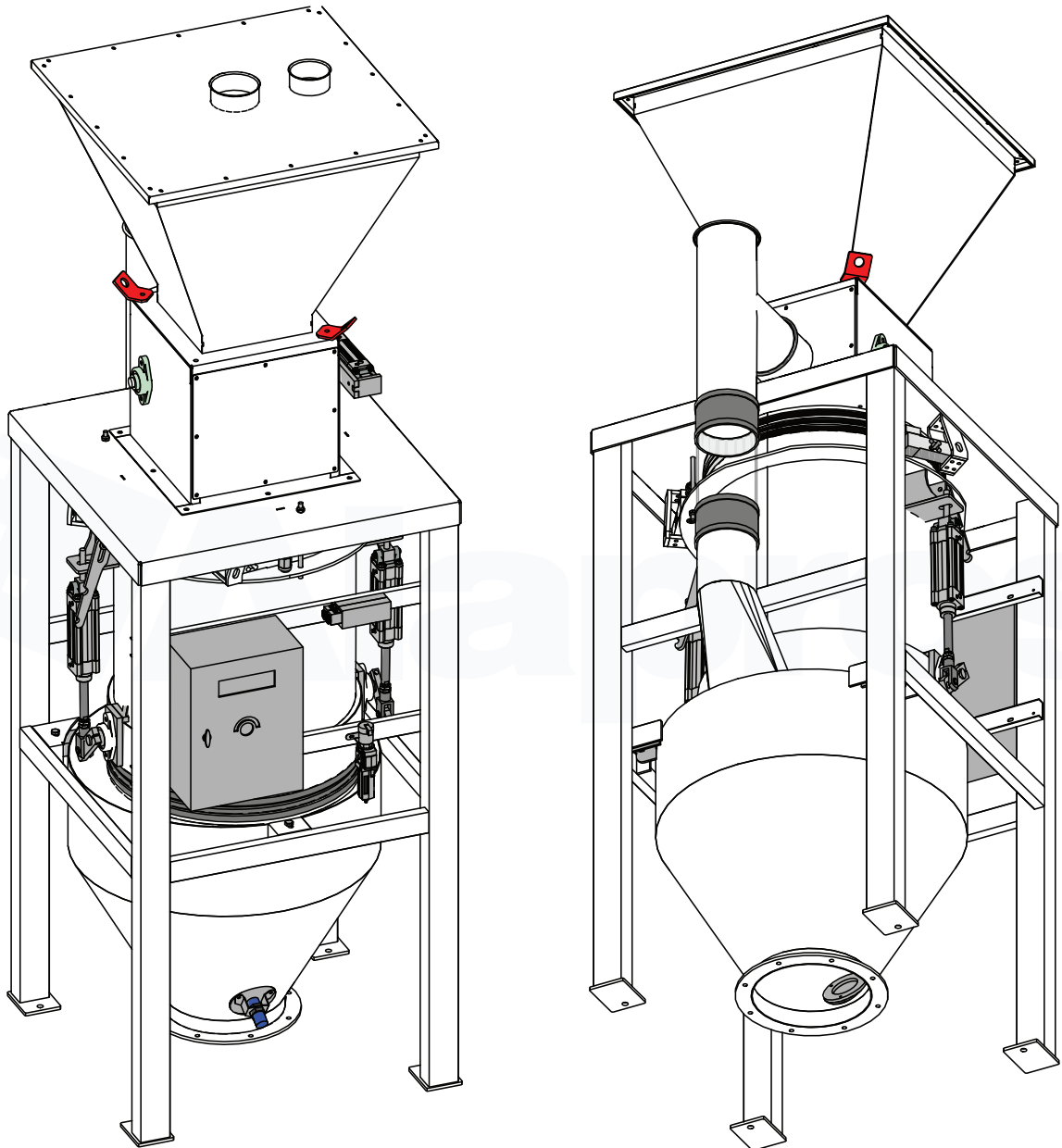


	A	A1	B	B1	C	C1	D	D1	E	E1	F	F1	ØG	G1	G2
ESB 60	2270		615		615		1303		841		613		Ø200		
ESB 150	2882		860		868		398		858		780		Ø300		
ESB 300		3275		1094		1086		459		954		798		370	364

1.9.1 EXTRACTION SCALE FOR WHEAT



1.9.2 EXTRACTION SCALE FOR FLOUR AND BRAN



1.10 CAPACITY AND DIMENSIONS

MODEL	ESB - 24	ESB- 60	ESB - 120
	ESB - 24	ESB - 60	ESB - 120
	ESB - 24	ESB - 60	ESB - 120
	ESB - 24	ESB - 60	ESB - 120
Inlet Hopper	2 mm	2 mm	2 mm
Inlet Part	3 mm	3 mm	3 mm
Body	3 mm	3 mm	3 mm
Feet	3 mm	3 mm	3 mm
Chassis of the Control Panel	6 mm	6 mm	6 mm
Foot Way	6 mm	6 mm	6 mm
Upper Flat of the Chassis	6 mm	6 mm	6 mm
Outlet Part	3 mm	3 mm	3 mm
Outlet Hopper	2 mm	2 mm	2 mm

1.11 TECHNICAL FEATURES

MODEL	TECHNICAL FEATURES				
	Volume of the Hopper [dm ³]	Capacity [m ³ /h]	Weight [kg]		Brüt Hacim (m ²)
			Net	Gross	
ESB - ESB - ESB 24	24	7,2	227	371	2,7
ESB - ESB - ESB 60	60	18	416	622	4,5
ESB - ESB - ESB 120	120	33,5	610	890	7,6