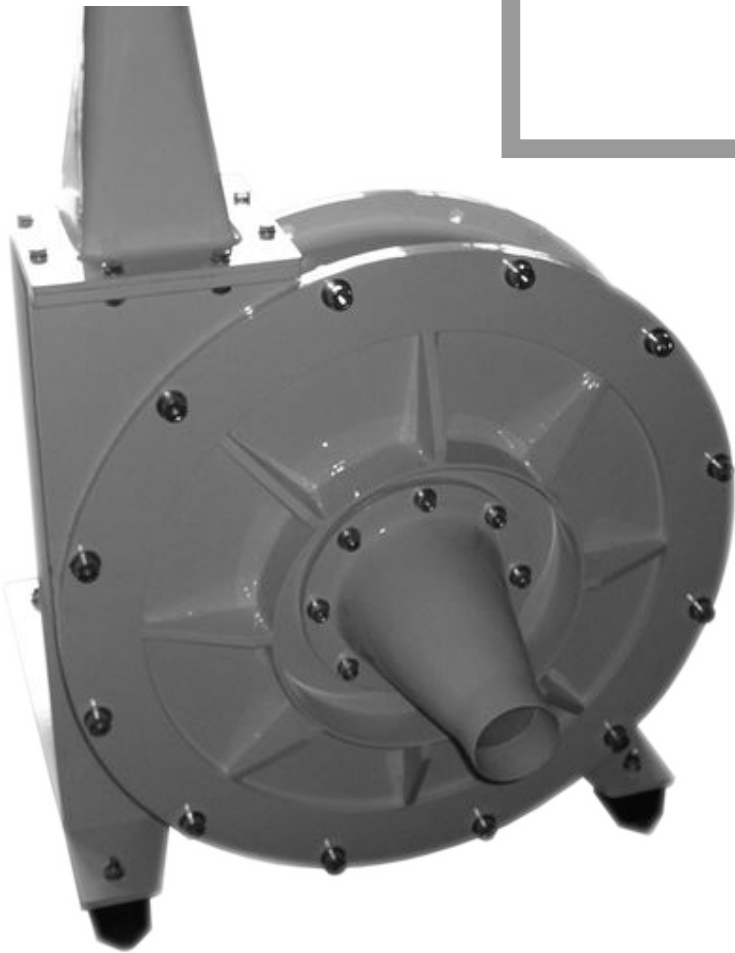


ENTOLETER
ENT-10

**USER
MANUAL**



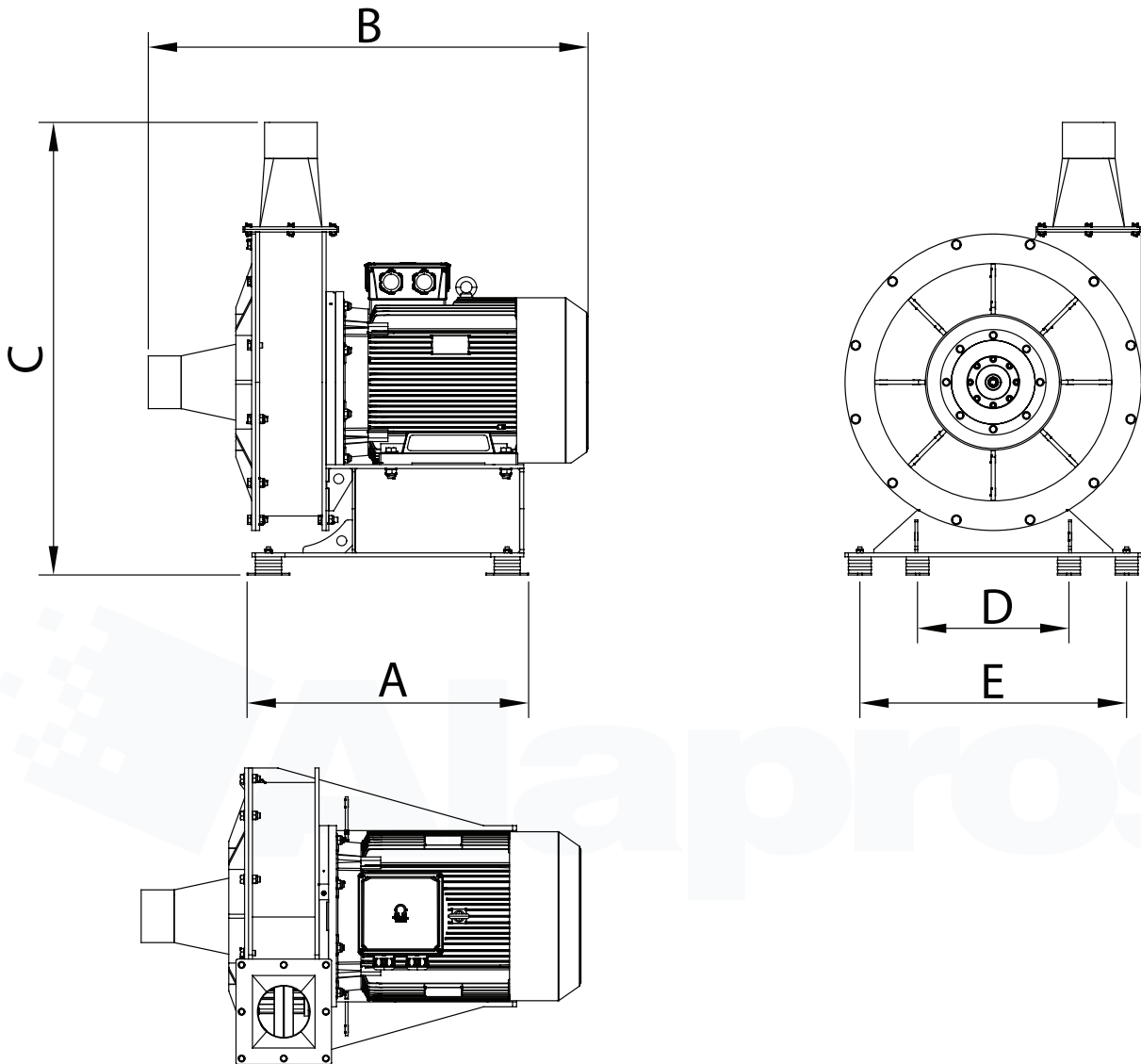
INNOVATION
MORE THAN
JUST A WORD



www.alapros.com

 **Alapros**[®]

1.9 CAPACITY AND DIMENSIONS



MODEL	DIMENSIONS mm.								
	A	B	C	D	E	F	H	ØJ	Capacity [t/h]
ENT 11	825	802	810	960	775	474	90x150	200	7
ENT 18,5									10

MODEL	TECHNICAL FEATURES			
	Motor [kW]	Weights [kg]		Gross Volume [m ³]
		Net	Gross	
ENT 11	11	400	486	1,14
ENT 18,5	18,5	450	536	

3.12 ENTOLETER FEATURES

