

ASPIRATION
CHANNEL
ACH

**USER
MANUAL**



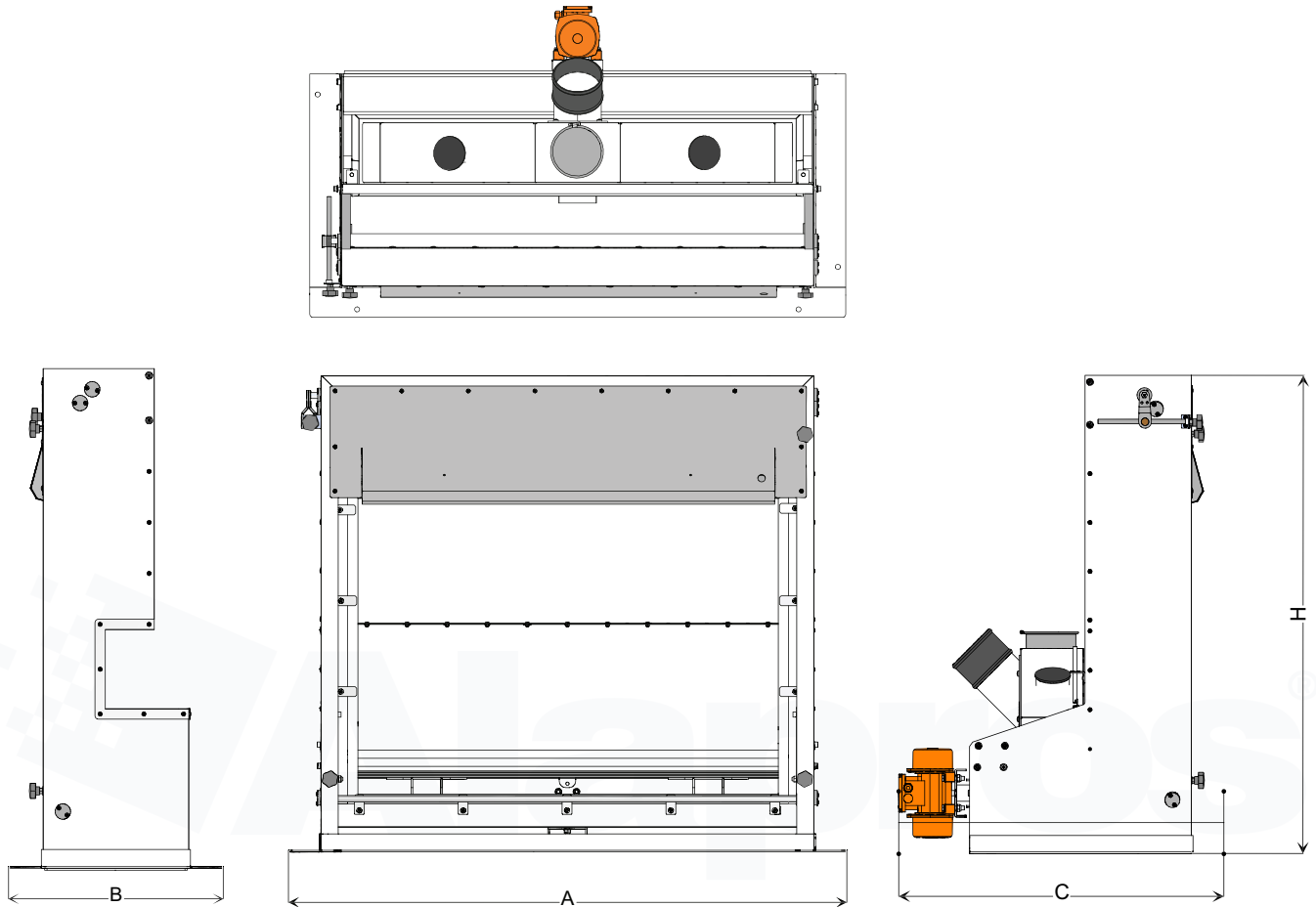
INNOVATION
MORE THAN
JUST A WORD



www.alapros.com

 **Alapros®**

1.6 CAPACITY AND DIMENSIONS



MODEL	DIMENSIONS mm.					TECHNICAL FEATURES	
	A	H	B	C	ØF	Motor kw	Weights kg
ACH 600	800	1450	620	970	120	0.085	85
ACH 1000	1200					0.085	140
ACH 1500	1700				0.17	180	

1.12 ASPIRATION CHANNEL FEATURES

