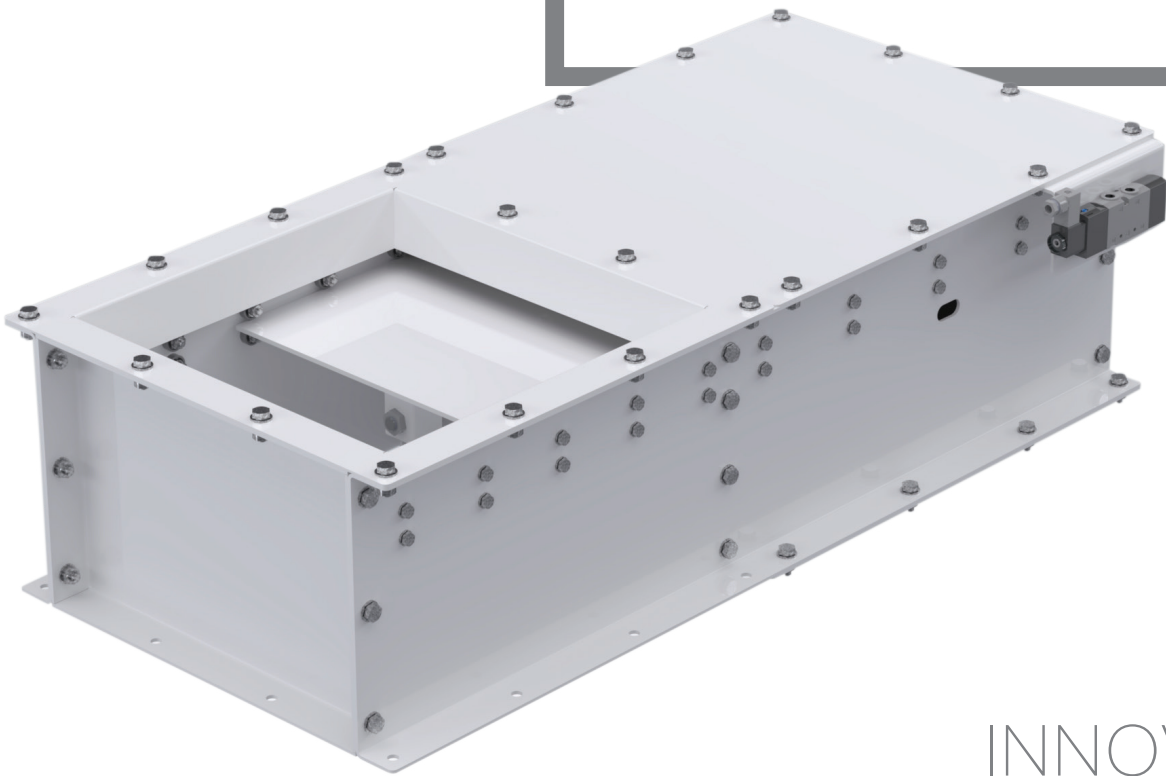


# SLIDING GATE *SGP*





INNOVATION  
MORE THAN  
JUST A WORD



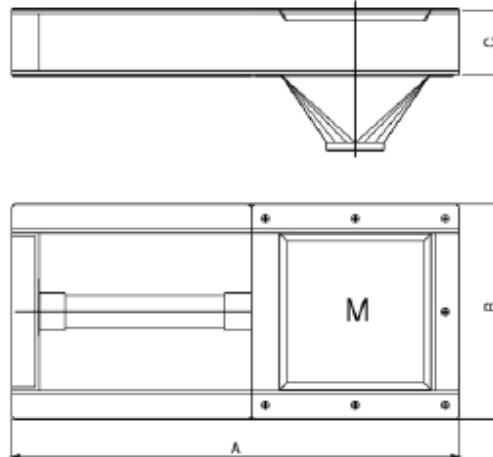
[www.alapros.com](http://www.alapros.com)

 **Alapros**<sup>®</sup>

## 1.8.2 MODEL PLATE

		<b>ALAPROS MAKİNA GIDA SAN. TİC. A.Ş.</b> OSB 12. Cadde No:17 19040 Çorum / TURKEY T : +90 364 250 1 250 F : +90 364 250 1 255		
Product Name	SLIDING GATE			
Model	SGP/ 170			
Serial Number	XXXXXXXX			
Product Date	XXX			
Weight	XXX	Info		
POWER	EM	GM	VM	11 KW
	Total Power			11KW

## 1.8 CAPACITY AND DIMENSIONS



MODEL	Dimensions [mm]			
	A	B	C	M
SGP 170	515	250	90	170X170

## 1.10 SLIDING GATE FEATURES

Each machine includes the following parts:

- Product line
- Pneumatic sliding
- Body
- Various accessories for the regulation of feeding an unloading.

The various parts are assembled directly in the place where the machine is installed through bolts. The total length of the Sliding Gate is reached through a series of casings connected to a head and to a terminal station.

The Sliding Gate of the SGP Series are generally placed horizontally.

