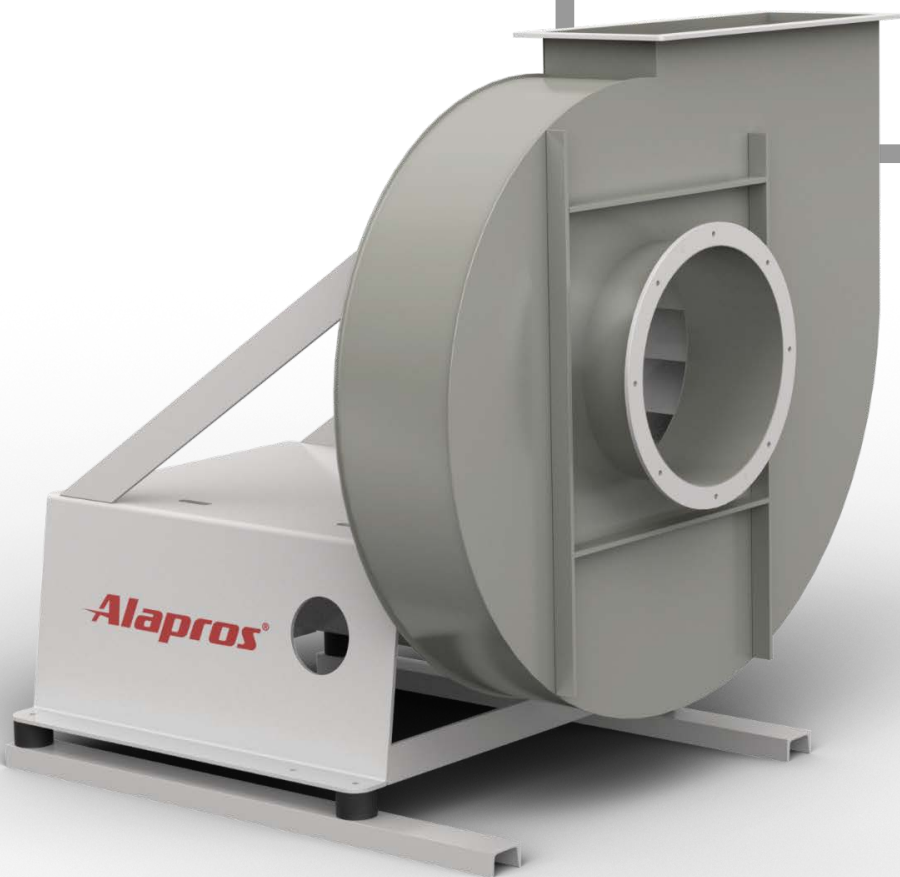


LOW&HIGH PRESSURE FAN

LPD

HPF

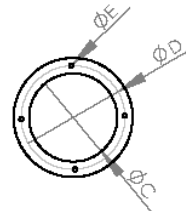
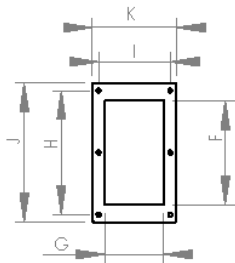
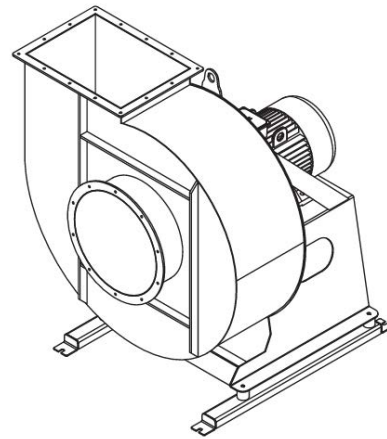
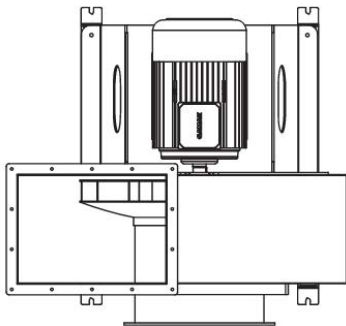
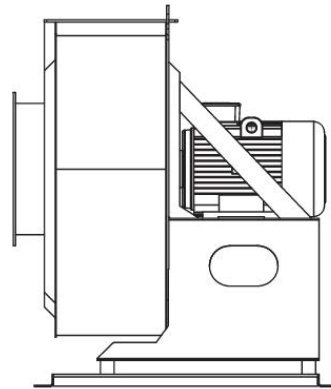
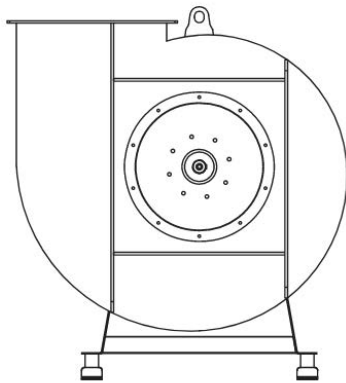


INNOVATION
MORE THAN
JUST A WORD

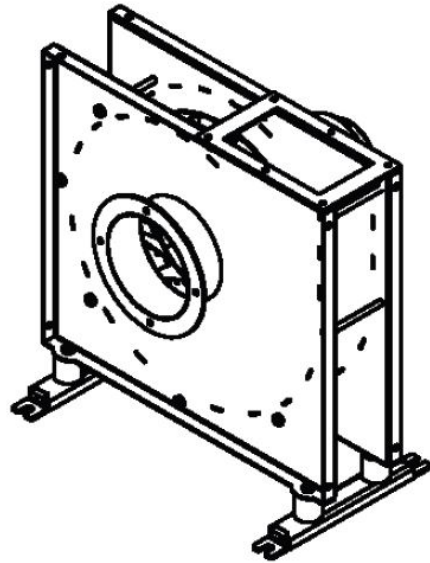
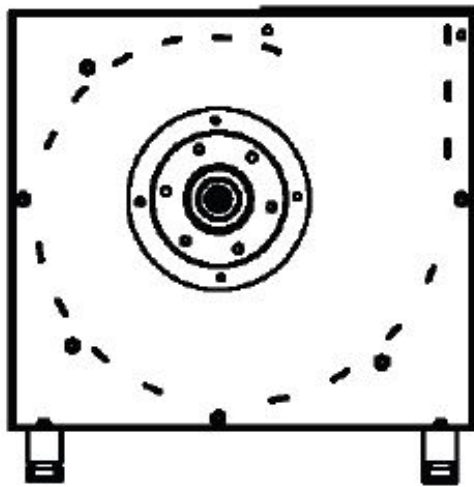


www.alapros.com

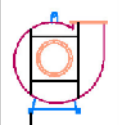
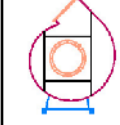
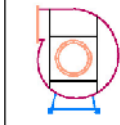
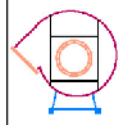
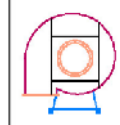
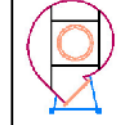
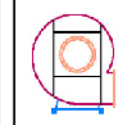
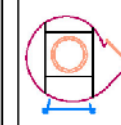
 **Alapros**[®]



MODEL	TECHNICAL FEATURES										
	A	B	C	D	E	F	G	H	I	J	K
LPF-HPF-0015	606	675	158	188	9	166	113	200	146,5	236	170
LPF-HPF-0022	640	698	178	241	9	203	123	232	155	273	183
LPF-HPF-0030	693	711	202	236	9,5	237	134	282	163	316	191
LPF-HPF-0040	734	741	220	253	9,5	277	140	310	175,5	357	205
LPF-HPF-0055	790	774	246	281	9,5	322	171	367	201	412	231



In order to be suitable for the aspirator connections and the place where it will be used, it can be manufactured according to the direction table given below.

	R / 0	R / 45	R / 90	R / 135	R / 180	R / 225	R / 270	R / 315
Right								
	L / 0	L / 45	L / 90	L / 135	L / 180	L / 225	L / 270	L / 315
Left	