

INTENSIVE  
DAMPENER  
*IDP*

**USER  
MANUAL**



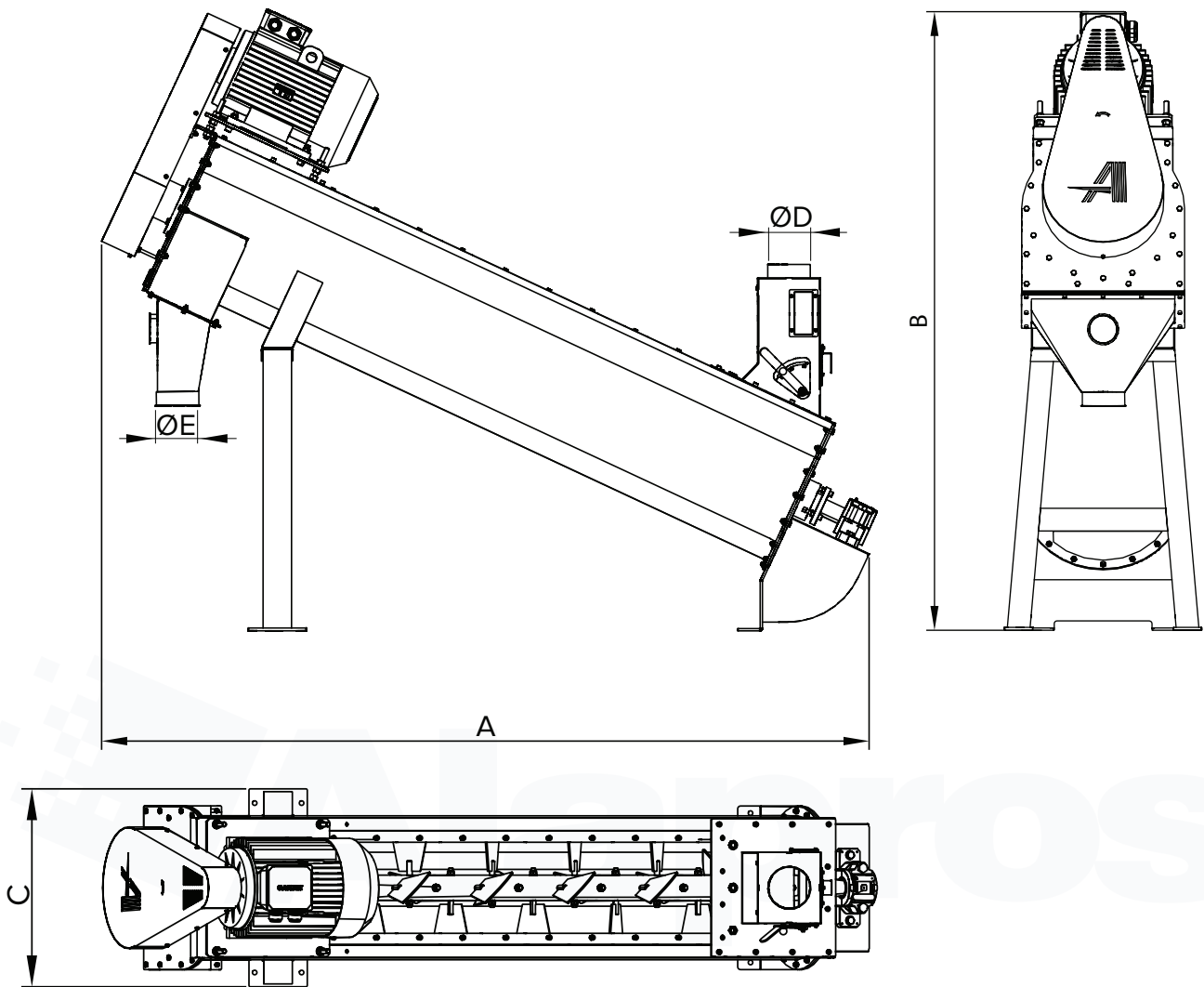
INNOVATION  
MORE THAN  
JUST A WORD



[www.alapros.com](http://www.alapros.com)

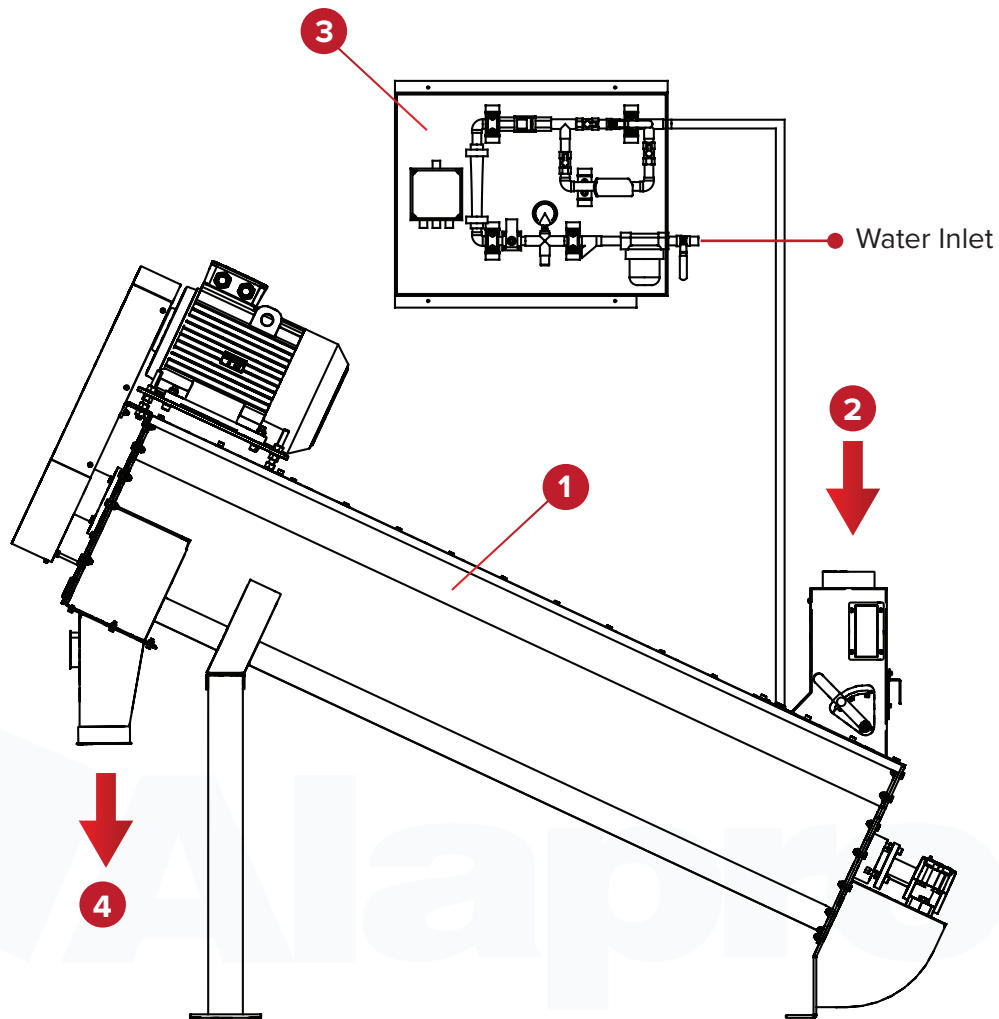
 **Alapros**<sup>®</sup>

## 1.9 CAPACITY AND DIMENSIONS



MODEL	DIMENSIONS mm.					TECHNICAL FEATURES		
	A	B	C	ØD	ØE	Capacity t/h	Motor kw	Weights Kg
IDP 350	2724	2070	546	150	120	8	5,5	450
						12	7,5	
IDP 500	2724	2170	696	150	150	15	7,5	540
						18	11	
						22	15	

## 1.10 PROCESS OF THE INTENSIVE DAMPENER

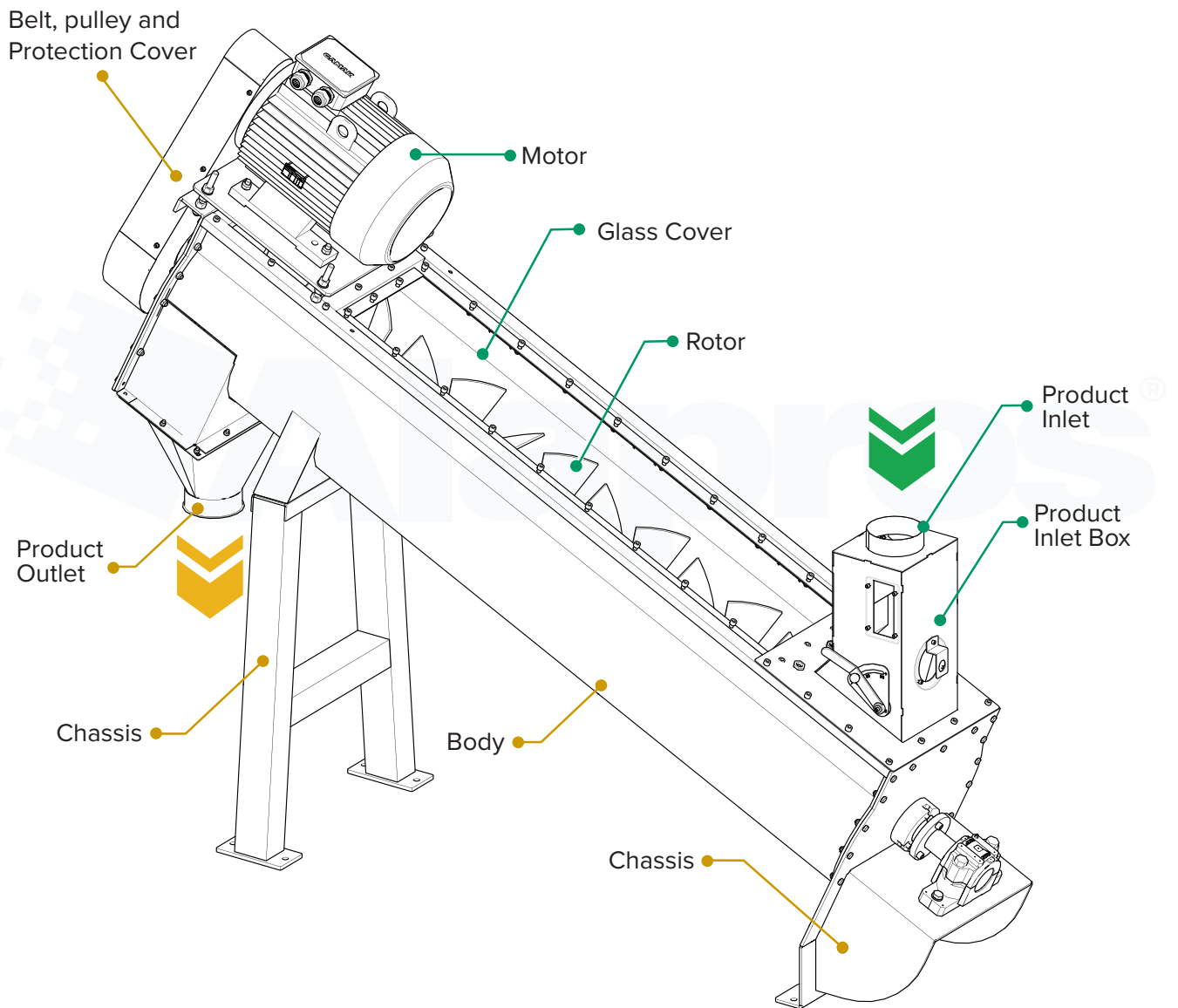


1. Intensive dampener
2. Product inlet
3. Intensive dampener electrical Panel
4. Intensive dampener IDP outlet

MODEL	DIMENSIONS mm.					TECHNICAL FEATURES			
	A	B	C	ØD	ØE	Capacity t/h	Motor kw	Weights Kg	
IDP 350	2724	2070	546	150	120	8	5,5	450	
						12	7,5		
IDP 500		2170	696		150	150	15	7,5	540
							18	11	
						22	15		

## 1.11 FEATURES OF THE INTENSIVE DAMPENER

### 1.1.1 GLASS COVER MODEL



### 1.11.2 CHROME COVER MODEL

