

IMPACT
DETACHER
IDT

**USER
MANUAL**



INNOVATION
MORE THAN
JUST A WORD

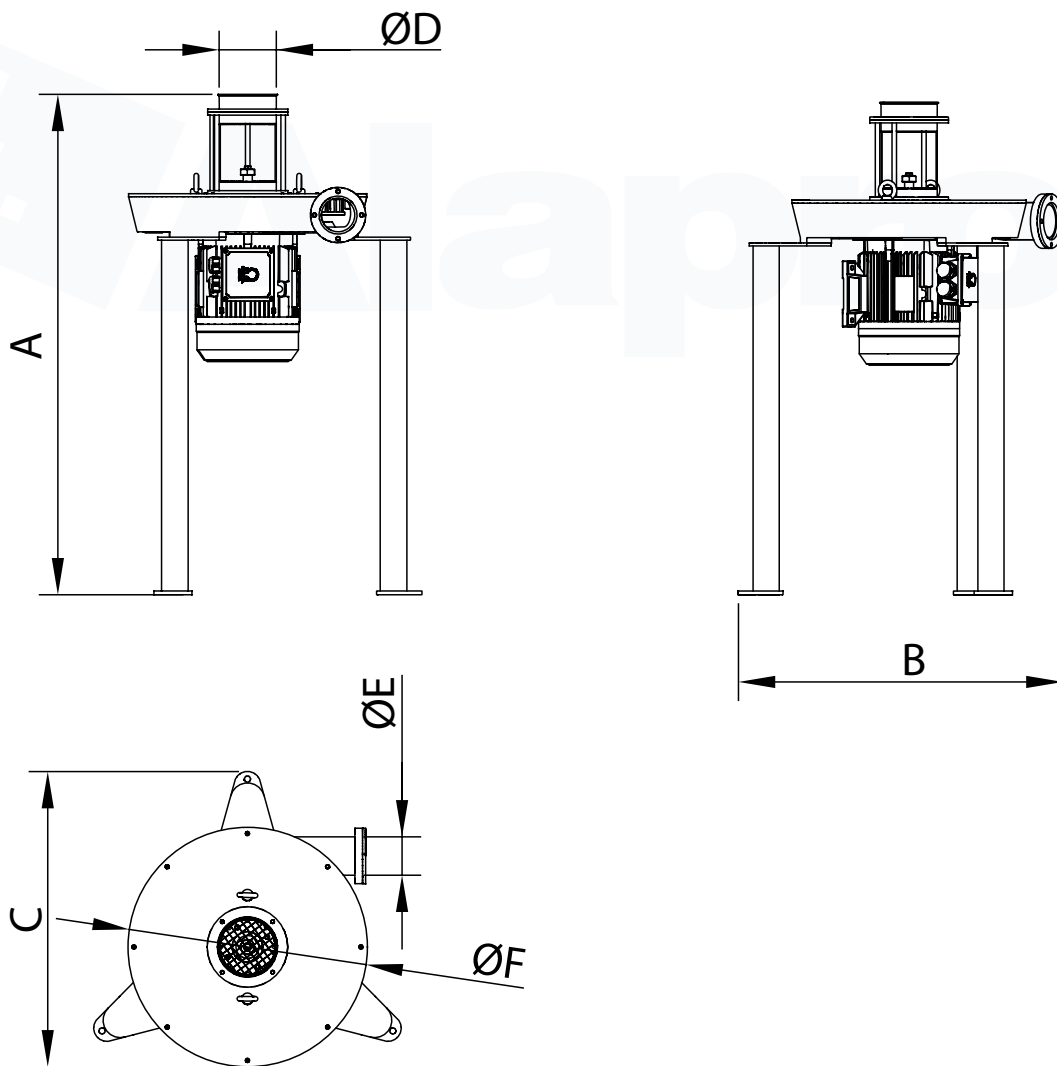


www.alapros.com

 **Alapros®**

1.9 CAPACITY AND DIMENSIONS

MODEL	DIMENSIONS mm.						TECHNICAL FEATURES		
	A	B	C	ØD	ØE	ØF	Motor kw	Capacity t/h	Weights Kg
IDT 51/5.5	786	800	695	120	80	610	5,5	1	170
IDT 51/7.5							7,5	1,7	180
IDT 51/11							11	2,8	205
IDT 51/15							15	4	235
IDT 43/4	916	740				550	4	2,5	90
IDT 43/5.5							5,5	3,5	90



3.11 IMPACT DETACHER FEATURES

The Impact Detacher of the IDT Series are placed horizontally in general practice.

