

DIVERTER VALVE

**USER
MANUAL**

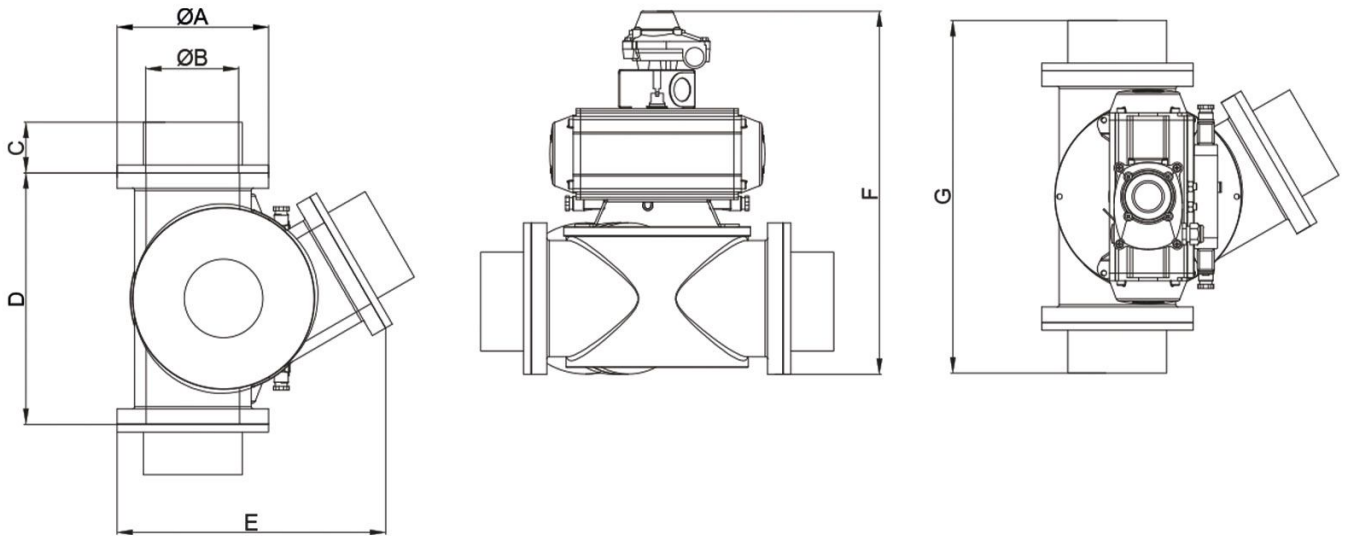


INNOVATION
MORE THAN
JUST A WORD



www.alapros.com

 **Alapros**



MODEL	DIMENSIONS mm.							WEIGHT kg.
	A	B	C	D	E	F	H	
50	130	36-42 42-48 54-60	65	237	242	390	367	17
70	130	64-70 70-76	65	237	242	390	367	22
95	165	83-89 96-102	65	290	300	445	420	26
120	195	102-108 108-114 121-127	65	324	345	460	454	36
135	215	133-139	65	314	360	480	444	39
160	240	153-159 162-168	65	381	413	525	511	46
200	280	186-192 210-219	65	474	517	560	604	55