

DISTRIBUTOR

**USER**  
MANUAL

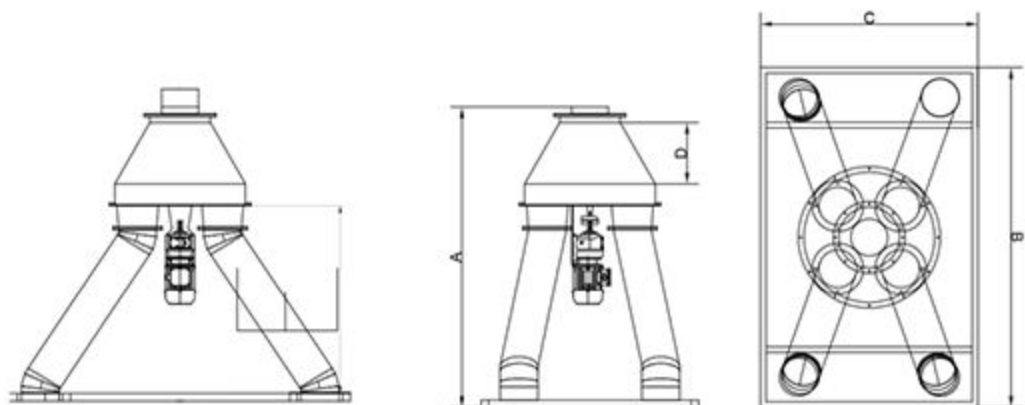


INNOVATION  
MORE THAN  
JUST A WORD



[www.alapros.com](http://www.alapros.com)

 **Alapros**



MODEL	DIMENSIONS mm.					WEIGHT (kg)
	A	B	C	D	E	
DST 4	1506	1800	1150	325	995	110